

General Specifications

pH and ORP Sensors

EXAPH

GS 12B07B02-E

■ GENERAL

Yokogawa's process pH and ORP meters are highly reliable and feature advanced functions which are useful for a wide variety of applications including water quality management in a broad range of production processes and medium-sized wastewater treatment plants, or for general pH and ORP control systems. Based on Yokogawa's track record and years of experience, a comprehensive range of products has been produced to provide solutions best suited to individual applications.

In addition to the PH8EFP and PH8ERP standard Ryton pH sensors, our line of pH sensors has been strengthened by the inclusion of the solid electrolyte pH sensor HA405, pH sensor for chemical processes DPA405, pH sensor and hydrofluoric acid-resistant pH sensor HF405 to cope with applications where standard sensors cannot be used. For reliable measurement of pH of high purity water in boilers and semiconductor process applications, the pH sensor PH8EHP and holder PH8HH are offered.

Like the pH sensor series, the ORP sensor series is also offered as a complete lineup with the solid electrolyte ORP sensor HA485, ORP sensor for chemical processes DPA485 in addition to the OR8EFG and OR8ERG standard Ryton ORP sensors.

■ FEATURES

Ryton pH/ORP Sensors PH8EFP, PH8ERP, OR8EFG, OR8ERG

- With the body made of Ryton, a strong engineering plastic, which is comparable to Teflon in terms of corrosion resistance and heat resistance, it allows for a wide range of applications.
- A single type of sensor can support all applications regardless of whether a holder or cleaner is used.
- The integrated-sensor design simplifies calibration with standard solutions and maintenance.
- The pH glass electrode of a pH sensor, the platinum or gold electrode of a ORP sensor and junction can be individually replaced.

Solid Electrolyte pH/ORP Sensors (Xerolyt) : HA405, HA485

- Allows pH measurement under severe conditions, such as where the process fluid is heavily contaminated or contains sulfide.
- With solid polymer used as the inner solution, the liquid junction is large (1.0 to 1.5 mm), which prevents clogging.



pH/ORP Sensors for Chemical Processes : DPA405, DPA485

- Extremely long life span for pH measurement in electrolytic processes.
- With the pressurized inner solution there is no need for a pressure holder.
- The silver barrier incorporated in the reference electrode inhibits the generation of sulfide around the liquid junction.

Hydrofluoric Acid-Resistant pH Sensor (HF405)

- The special sensing membrane allows measurement of solutions or drainage containing hydrofluoric acid.
- With solid polymer used as the inner solution, the liquid junction for the process fluid is large (1.0 to 1.5 mm), which prevents clogging.

pH Sensor for High Purity Water: PH8EHP

- The dedicated holder provides solutions to problems that arise when measuring high-purity water.
- Combined with PH202, FLXA21, PH450G, compensates for the effect of fluid temperature.

Any company's names and product names mentioned in this GS are names, trademarks or registered trademarks of their respective companies.

■ SYSTEM CONFIGURATION

For the PH202, FLXA21 2-Wire Type pH/ORP transmitter, see GS 12B07D02-E, GS 12A01A02-01E and for the PH450G 4-Wire Type pH Converter, see GS 12B07C05-01E.

For the holders or cleaning devices, see GS 12J05C02-00E.

Fig. 1-a System Configuration (General Purpose, Non-Explosionproof Types)


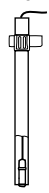
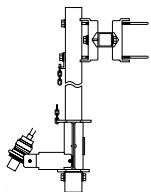
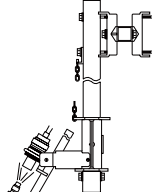
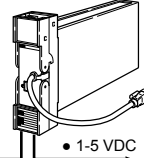
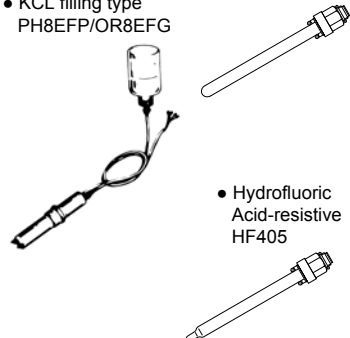


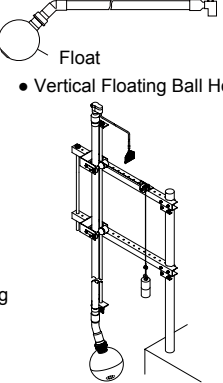
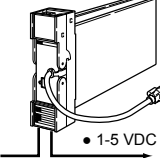
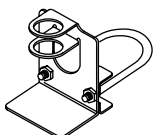
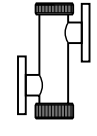
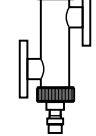
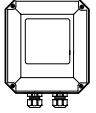
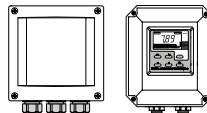

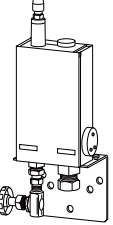
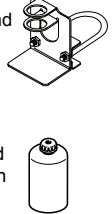
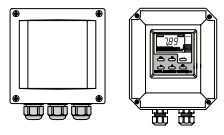
Sensors		Holder, Holder with Cleaning system		Distributors
<ul style="list-style-type: none"> • KCL refillable type PH8ERP/OR8ERG • Xerolyt HA405/HA485 	<ul style="list-style-type: none"> • Guide Pipe PH8HG 	<ul style="list-style-type: none"> • Suspension Type Holder HH350G <p><No Cleaning></p>  <p><With Jet Cleaning></p> 	<ul style="list-style-type: none"> • EXA PH dedicated Distributor PH201G  <p>• 1-5 VDC</p>	
<ul style="list-style-type: none"> • KCL filling type PH8EFP/OR8EFG • for Chemical DPA405/DPA485 • Hydrofluoric Acid-resistant HF405 	<ul style="list-style-type: none"> • Submersion Type Holder <p>No Cleaning</p>  <p>Ultrasonic Cleaning Jet Cleaning Brush Cleaning</p> 	<ul style="list-style-type: none"> • Angled Floating Ball Holder PB350G • Vertical Floating Ball Holder <p>Float</p> 	<ul style="list-style-type: none"> • Maintenance Contact Output • Cleaning Contact Output • Fail Contact Output 	<ul style="list-style-type: none"> • General Distributor SDBT, SDBS, etc.  <p>• 1-5 VDC</p>
<p>Accessories</p> <ul style="list-style-type: none"> • Sensor Stand 	<ul style="list-style-type: none"> • Flow Type Holder PH8HF <p>No Cleaning</p>  <p>Ultrasonic Cleaning Jet Cleaning Brush Cleaning</p> 	<p>Cleaning Devices</p> <ul style="list-style-type: none"> • Ultrasonic Oscillator PUS400G 	<p>pH/ORP Transmitter</p> <ul style="list-style-type: none"> • 2-wires pH/ORP Transmitter PH202G, FLXA21 PH450G converter 	

Fig. 1-b System Configuration (For Pure Water)

pH sensor	Holder	Accessories	pH Transmitter	Distributors
<ul style="list-style-type: none"> • For pure water PH8EHP 	<ul style="list-style-type: none"> • For pure water PH8HH 	<p>PH8AX</p> <ul style="list-style-type: none"> • Sensor Stand • Calibration Reagent and KCL Solution 	<ul style="list-style-type: none"> • 2-wires pH Transmitter PH202G, FLXA21 PH450G converter 	<p>Same as for General Purpose or Non-Explosionproof Types</p>

F01.ai

SPECIFICATIONS

1. pH Sensor

1-1. Common Specifications

Measured object : Hydrogen ion concentration (pH) in aqueous solution
 Measurement principle : Glass electrode method
 Measuring range : Different by used sensor
 Measurement conditions:
 Process temperature ; See Table 1
 Process pressure ; See Table 2

Table 1. Process Temperature Range

pH Sensor	Holder Type *2	Holder Material *1	Cleaner	Adapter Material *1	pH Range	Temperature (°C)
PE8ERP	Guide-pipe (PH8HG)	PVC	None	Not used	2 to 12	-5 to 50
		PP	None			-5 to 80
	Submersion (PH8HS)	PP	None, Provided			-5 to 80
		SS	None, Provided			-5 to 80
	Suspension (HH350G)	SS	None, Provided			-5 to 80
Float (PB350G, PB360G)	PP, SS	None	-5 to 50			
PH8EFP	Guide-pipe (PH8HG)	PVC	None	Not used	2 to 12	-5 to 50
		PP	None			-5 to 80
	Submersion (PH8HS)	PP, SS	None, Provided			-5 to 100
		PP	None, Provided			-5 to 80
	Flow-through (PH8HF)	SS	None, Provided			-5 to 105
		SS	Provided			-5 to 80
Suspension (HH350G)	SS	None, Provided	-5 to 80			
Float (PB350G, PB360G)	PP, SS	None	-5 to 50			
PH8EHP	High purity water (PH8HH)	Acryl	None		2 to 12	0 to 50
HA405 *3 DPA405 *3 HF405 *3	Submersion (PH8HS)	PP, SS	None	PVC	HA405 2 to 14	0 to 50
			Provided	PP,SS		0 to 100
		PP, SS	PVC	PP,SS		0 to 50
			PP,SS	PP,SS		0 to 80
	Flow-through (PH8HF)	PP	None, Provided	PVC	DPA405 0 to 14	0 to 50
				PP	HF405 2 to 11	0 to 80
				SS	SS	0 to 100
		SS	None, Provided	PP,SS		0 to 80
				PVC		0 to 50
				PVC		0 to 50

Note: PV: Rigid Polyvinyl, PP: Polypropylene, SS: Stainless Steel

- *1 Stainless steel holder and Stainless steel adapter should be used when the pH value of the solution is pH3 or more acidic.
 *2 For flow-through types, refer also to the solution temperature and pressure diagram of Holder GS 12J05C02-00E.
 *3 Only jet cleaning system can be used for HA405, DPA405 or HF405.

Table 2. Process Pressure Range

pH Sensor Holder	PH8ERP	PH8EFP	HA405 HF405	DPA405 *2
Submersion	Atmospheric pressure (Submersion depth: Max. 3m)			
Guide-pipe Suspension Float	Atmospheric pressure (Submersion depth: Max.3m)		Not used	
Flow-through *1	Atmospheric pressure to 50kPa	Atmospheric pressure to 10kPa *3	Atmospheric pressure to 500kPa	Atmospheric pressure to 250kPa
		Atmospheric pressure to 500kPa *4		

- *1 For flow-through types, refer also to the solution temperature and pressure diagram of Holder GS 12J05C02-00E.
 *2 Available measuring pressure decreases when the inner pressure of DPA405 decreases.
 *3 When general purpose reserve tank used.
 *4 When medium-pressure reserve tank used.

Table 3. Selection for pH Sensor

pH Sensor Application	PH8ERP PH8EFP	PH8EHP	HA405	DPA405	HF405
General purpose	○	×	—	—	—
High purity water	×	○	×	×	×
Contaminating and sulfide-containing solutions	×	×	○	×	×
Caustic electrolysis solutions Solutions containing organic solvents	×	×	×	○	×
Waste water containing hydrofluoric acid *1	×	×	×	×	○

- *1 Confirm the specifications of hydrofluoric acid concentration upper limit.
 Note: Consult sales personnel about selection for pH sensor because the table above is just for reference.

1-2. KCI Refillable Type Sensor (PH8ERP)

Measuring range: pH2 to 12
 Measuring temperature: -5 to 80°C
 (See Table 1 when using holder)
 Measuring pressure: Atmospheric pressure to 50 kPa
 (See Table 2 when using holder)
 Temperature compensation sensor: Pt1000
 Wetted part materials:
 Body; Ryton (PPS resin), glass, titanium or Hastelloy C, ceramics, fluorocarbon rubber or Daielperfrow rubber
 Cable; Chlorinated polyethylene rubber (Cable sheath)
 Weight: Approx. 0.4 kg

1-3. KCI Filling Type Sensor PH8EFP

Measuring range: pH0 to 14
 Measuring temperature: -5 to 105°C
 (-5 to 80°C when using Guide-pipe holder)
 (See Table 1 when using holder)
 Measuring pressure:
 Atmospheric pressure to 10 kPa
 (General purpose or big volume tank 500 mL)
 (See Table 2 when using holder)
 Atmospheric pressure to 500 kPa
 (Medium pressure)
 (See Table 2 when using holder)
 Temperature compensation sensor: Pt1000

Wetted part materials:

- Body; Ryton (PPS resin), glass, titanium or Hastelloy C, ceramics, teflon, fluorocarbon rubber or Daielperfrow rubber
- Cable; Chlorinated polyethylene rubber (Cable sheath)
- KCl tube; Heat-resistant soft PVC (General purpose or big volume tank 500mL), Polyethylene (Medium pressure)
- Weight: Sensor; Approx. 0.4 kg,
Tank; Approx. 0.3 kg (General purpose),
Approx. 1 kg (Medium pressure),
Approx. 0.8 kg (Big-volume)

1-4. Solid Electrolyte pH Sensor (Xerolyt) HA405

- Measuring range: pH2 to 14
- Measuring temperature: 0 to 110°C (See Table 1 when using holder)
- Measuring pressure: Atmospheric pressure to 1.6MPa (Temperature 25°C)
Atmospheric pressure to 600kPa (Temperature 100°C)
(See Table 2 when using holder)
- Internal electrolyte: Solid polymer including KCl (Xerolyt)
- Temperature compensation sensor: None
(Manual temperature compensation on the converter or transmitter)
(Use the adapter with temperature sensor SA405 for application where the temperature varies)
- Applicable holder: Flow-through holder (PH8HF),
Submersion holder (PH8HS)
(An optional adapter is needed, but not needed when using the adapter with temperature sensor SA405).
Ultrasonic cleaning is not available.
Only jet cleaning is available when cleaning is necessary.

Wetted part materials:

- Body ; Glass
- O-ring ; Silicon rubber or Daielperfrow rubber
- Adapter ; Stainless steel (316 SS), polypropylene or rigid polyvinyl chloride

CAUTION ON USE:

This sensor cannot be used outdoors, even when using with a holder, this sensor cannot be used outdoors due to exposure to rain or due to condensation at a high humid place. This sensor cannot be used with a guide-pipe holder.
The sensor must be installed in a vertical position. It can not be installed from below and in a horizontal position, either.
The sensor may not stand a long-term use in solutions containing organic solvents because of the erosion of its internal electrolyte polymer.

1-5. pH Sensors for Chemical Processes (DPA405)

- Measuring range: pH0 to 14
- Measuring temperature: 0 to 100°C
(See Table 1 when using holder)
- Measuring pressure: Atmospheric pressure to 250 kPa
(Depending on the inner pressure of the sensor)
(See Table 2 when using holder)
- Internal electrolyte: High-viscosity gel

Temperature compensation sensor: None
(Manual temperature compensation on the converter or transmitter)
(Use adapter with temperature sensor (SA405) for application where the temperature varies)

Applicable holder:

Flow-through holder (PH8HF),
Submersion holder (PH8HS)
(An optional adapter is needed, but not needed when using an adapter with temperature sensor SA405.)
Ultrasonic cleaning is not available.
Only jet cleaning is available when cleaning is necessary.
Use O-ring covered by Teflon (K9148MR) when using a special holder for electrolytic processes

Wetted part materials:

- Body; Glass
- O-ring; Silicon rubber or Daielperfrow rubber
- Adapter; Stainless steel (316 SS), polypropylene, rigid polyvinyl chloride, heat-resistant polyvinyl chloride or titanium

CAUTION ON USE:

This sensor cannot be used outdoors, even when using with a holder, this sensor cannot be used outdoors due to exposure to rain or due to condensation at a high humid place.
This sensor cannot be used with a guide-pipe holder.
The sensor must be installed in a vertical position. It can not be installed from below and in a horizontal position, either.

1-6. Hydrofluoric Acid-Resistant pH Sensor HF405

- Measuring range: pH2 to 11
- Upper limit of HF concentration: Max. 1000 ppm at pH3 to 4
Max. 10000 ppm at pH4 to 5
No limit at pH5 or greater
- Measuring temperature: 0 to 80°C
(See Table 1 when using holder)
- Measuring pressure: Atmospheric pressure to 1.6 MPa (Temperature 25°C)
Atmospheric pressure to 600 kPa (Temperature 100°C)
(See Table 2 when using holder)
- Internal electrolyte: Solid polymer including KCl (Xerolyt)
- Temperature compensation sensor: None
(Manual temperature compensation on the converter or transmitter)
(Use adapter with temperature sensor SA405 for application where the temperature varies)
- Applicable holder: Flow-through holder (PH8HF),
Submersion holder (PH8HS)
(An optional adapter is needed, but not needed when using the adapter with temperature sensor SA405)
- Wetted part materials: Body ; Glass. silicon rubber or Daielperfrow rubber
- Adapter ; Stainless steel (316 SS), polypropylene or rigid polyvinyl chloride

CAUTION ON USE:

This sensor cannot be used outdoors, even when using with a holder, this sensor cannot be used outdoors due to exposure to rain or due to condensation at a high humid place.

This sensor cannot be used with a guide-pipe holder.

The sensor must be installed in a vertical position. It can not be installed from below and in a horizontal position, either.

1-7. Adapter with Temperature Sensor (SA405)

Applicable sensors: HA405, DPA405, HF405

Temperature sensor: Pt1000

Wetted part materials :

Stainless steel (316 SS) (Temperature sensor)- PEEK (Adapter), titanium, Hastelloy C

Applicable holder:

Flow-through holder (PH8HF),
Submersion holder (PH8HS)

(Note 1): Use O-ring covered by Teflon (K9148MR) when using a special holder for electrolytic processes.

(Note 2): Use special type terminal box "WTB10-PH2" for pin terminal of PH202 or FLXA21, use "WTB10-PH6" for M4 ring terminal of FLXA21. Use special type M3 ring terminal box of "WTB10-PH4" for 4-wire type converter "PH450G" and 2-wire type transmitter "PH202/TB".

1-8. pH Sensor for Small Culture Tanks DPAS405

Measuring range: pH0 to 12

Measuring temperature: 0 to 100°C

(Applicable for autoclave)

Autoclave temperature: max. 130°C

Measuring pressure:

Atmospheric pressure to 250 kPa

Internal electrolyte: High-viscosity gel

Temperature compensation sensor: None

(Manual temperature compensation on the converter or transmitter)

Applicable holder: Silicon bush

(Note): Use silicon bush or socket (DIN Pg 13.5 female) for an insertion length of 120 mm and 200 mm.

Wetted part materials:

Body ; Glass

O-ring ; Silicon rubber or Daielperfrow

CAUTION ON USE:

This sensor cannot be used outdoors and with guide-pipe holder.

The sensor must be installed in a vertical position. It can not be installed from below and in a horizontal position, either.

2. ORP Sensor**2-1. Common Specifications**

Measured object:

Oxidation-Reduction potential in aqueous solution

Measurement principle: Metal electrode method

Measuring range: -1500 to 1500 mV

Measurement conditions:

Process temperature: See Table 4

Process pressure: See Table 5

Table 4. Process Temperature Range

ORP Sensor	Holder Type *2	Holder Material *1	Cleaner	Adapter Material *1	Temperature (°C)
OR8ERG	Guide-pipe	PVC	None	Not used	-5 to 50
		PP	None		-5 to 80
	Submersion, Flow-through	PP	None, Provided		-5 to 80
		SS	None, Provided		-5 to 80
	Suspension	SS	None, Provided		-5 to 80
Float	PP, SS	None	-5 to 50		
OR8EFG	Guide-pipe	PVC	None		-5 to 50
		PP	None		-5 to 80
	Submersion	PP, SS	None, Provided		-5 to 100
					-5 to 80
	Flow-through	PP	None, Provided	-5 to 80	
		SS	None, Provided	-5 to 105	
	Suspension	SS	None, Provided	-5 to 80	
	Float	PP, SS	None	-5 to 50	
HA485 *3 DPA485 *3	Submersion	PP, SS	None	PVC	0 to 50
			Provided	PP, SS	0 to 100
		PP	PVC	0 to 50	
			PVC	0 to 80	
	Flow-through	PP	None, Provided	PVC	0 to 50
			None	PVC	0 to 80
			None	PP	0 to 50
		SS	None	PP	0 to 80
			None	SS	0 to 100
			Provided	PP, SS	0 to 80
			PVC	0 to 50	

Note: PV: Rigid Polyvinyl, PP: Polypropylene, SS: Stainless Steel

*1 Stainless steel holder and Stainless steel adapter should be used when the pH value of the solution is pH3 or more acidic.

*2 For flow-through types, refer also to the solution temperature and pressure diagram of holders GS 12J05C02-00E.

*3 Only jet cleaning system can be used for HA485 or DPA485.

Table 5. Process Pressure Range

ORP Sensor Holder	OR8ERG	OR8EFG	HA485	DPA485 *2
Submersion	Atmospheric pressure (Submersion depth: Max. 3 m)			
Guide-pipe Suspension Float	Atmospheric pressure (Submersion depth: Max. 3 m)		Not used	
Flow-through *1	Atmospheric pressure to 50 kPa	General purpose Atmospheric pressure to 10 kPa	Atmospheric pressure to 500 kPa	Atmospheric pressure to 250 kPa
		Medium pressure Atmospheric pressure to 500 kPa		

*1: For flow-through types, refer also to the solution temperature and pressure diagram of Holder GS 12J05C02-E.

*2: Available measuring pressure decreases when the inner pressure of DPA405 decreases.

2-2. KCl Refillable Type Sensor OR8ERG

Measuring range: -1500 to 1500 mV

Measuring temperature: -5 to 80°C

(See Table 4 when using holder)

Measuring pressure: Atmospheric pressure to 50 kPa

(See Table 5 when using holder)

Wetted part materials:

Body; Ryton (PPS resin), platinum-glass or gold-epoxy resin, titanium, ceramics, fluorocarbon rubber

Cable; Chlorinated polyethylene rubber (Cable sheath)

Weight: Approx. 0.4 kg

2-3. KCl Filling Type Sensor OR8EFG

Measuring range: -1500 to 1500 mV

Measuring temperature: -5 to 105°C

(-5 to 80°C when using guide-pipe holder)

(See Table 4 when using holder)

Measuring pressure:

Atmospheric pressure to 10 kPa
(General purpose or big volume tank 500 mL)

(See Table 5 when using holder)

Atmospheric pressure to 500 kPa

(Medium pressure)

(See Table 5 when using holder)

Wetted part materials:

Body ; Ryton (PPS resin), platinum-glass or gold-epoxy resin, titanium or Hastelloy C, ceramics, fluorocarbon rubber

Cable ; Chlorinated polyethylene rubber (Cable sheath)

KCl tube ; Heat-resistant soft PVC (General purpose), Polyethylene (Medium pressure)

Weight:

Sensor; Approx. 0.4 kg

Tank; Approx. 0.3 kg (General purpose),

Approx. 1 kg ((Medium pressure)

2-4. Solid Electrolyte ORP Sensor (Xerolyt) HA485

Measuring range: -1500 to 1500 mV

Process pH range: 2 to 14 pH

Measuring temperature: 0 to 110°C

(See Table 4 when using holder)

Measuring pressure:

Atmospheric pressure to 1.6MPa

(Temperature 25°C)

Atmospheric pressure to 600kPa

(Temperature 100°C)

(See Table 5 when using holder)

Internal electrolyte: Solid polymer including KCl (Xerolyt).

Applicable holder:

Flow-through holder (PH8HF),

Submersion holder (PH8HS)

(An optional adapter is needed)

Ultrasonic cleaning is not available.

Only jet cleaning is available when

cleaning is necessary.

Wetted part materials:

Body; Platinum-glass, silicon rubber

Adapter; Stainless steel (316 SS), polypropylene or rigid polyvinyl chloride

CAUTION ON USE:

This sensor cannot be used outdoors, even when using with a holder, this sensor cannot be used outdoors due to exposure to rain or due to condensation at a high humid place.

This sensor cannot be used with a guide-pipe holder.

The sensor must be installed in a vertical position. It can not be installed from below and in a horizontal position, either.

2-5. ORP Sensors for Chemical Processes DPA485

Measuring range: -1500 to 1500 mV

Measuring temperature: 0 to 100°C

(See Table 4 when using holder)

Measuring pressure:

Atmospheric pressure to 250kPa

(See Table 5 when using holder)

Internal electrolyte: High-viscosity gel

Applicable holder:

Flow-through holder (PH8HF),

Submersion holder (PH8HS)

(An optional adapter is needed.)

Use O-ring covered by Teflon (K9148MR) when using a special holder for electrolytic processes

Wetted part materials:

Body; Platinum-glass, silicon rubber

Adapter; Stainless steel (316 SS), polypropylene, rigid polyvinyl chloride, heat-resistant polyvinyl chloride or titanium

CAUTION ON USE:

This sensor cannot be used outdoors, even when using with a holder, this sensor cannot be used outdoors due to exposure to rain or due to condensation at a high humid place. This sensor cannot be used with a guide-pipe holder.

The sensor must be installed in a vertical position. It can not be installed from below and in a horizontal position, either.

2-6. ORP Sensor for Small Culture Tanks DPAS485

Measuring range: -1500 to 1500 mV

Measuring temperature: 0 to 100°C

(Applicable for autoclave)

Autoclave temperature: max. 130°C

Measuring pressure: Atmospheric pressure to 250 kPa

Internal electrolyte: High-viscosity gel

Applicable holder: Silicon bush

(Note): Use silicon bush or socket (DIN Pg13.5 female)
for an insertion length of 120 mm and 200 mm.

Wetted part materials:

Body; Platinum-glass, silicon rubber

CAUTION ON USE:

This sensor cannot be used outdoors and
with guide-pipe holder.

The sensor must be installed in a vertical
position. It can not be installed from below
and in a horizontal position, either.

3. pH Measuring System for High Purity Water

Use a holder for high purity water when using pH
sensor for high purity water.

3-1. pH Sensor for High Purity Water PH8EHP

Measuring temperature: 0 to 50°C

Measuring pressure: Atmospheric pressure

Temperature compensation sensor: Pt1000

Measuring conductivity: See Fig. 2

Measuring flow rate: See Fig. 2

Wetted part materials:

Body; Ryton (PPS resin), glass, titanium or
Hastelloy C, ceramics, fluorocarbon
rubber

Cable; Chlorinated polyethylene rubber (Cable
sheath)

KCl tube ; Heat-resistant soft PVC

Weight: Sensor ; Approx. 0.4 kg

Tank ; Approx. 0.3 kg (General purpose)

3-2. Holder for High Purity Water PH8HH

Material: Acrylic resin, 316 SS, chloroprene rubber

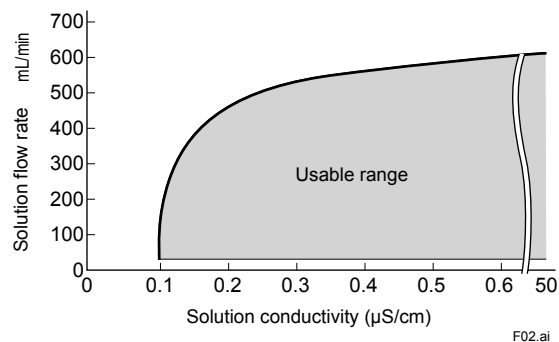
Process connections: Inlet ; Rc 1/4 or 1/4NPT (F)
Outlet ; Rc 1/2 or 1/2NPT (F)

Mounting Method:

50A (2-inch) vertical or horizontal pipe
mounting (specify mounting bracket) or
wall mounting (mounting bracket supplied
with holder)

Weight: Body; Approx. 1.7 kg

Mounting Bracket; Approx. 0.7 kg



**Fig.2 Solution flow rate and solution conductivity of
sensor and holder for high purity water**

4. Terminal Box

4-1. Terminal Box for General pH/ORP Sensors WTB10-PH1, -PH3, -PH5

Used when pH transmitter or converter is installed remotely from the pH or ORP sensor.

Ambient temperature: -10 to 50°C
 Construction: JIS waterproof
 Case material: Fiberglass reinforced polycarbonate resin
 Case color: Grayish green (Munsell 2.5GY5.0/1.0)
 Electrical connections:
 pH sensor side;
 Ø21mm hole (With G1/2 plastic gland)
 pH Transmitter or Converter side;
 Ø13mm hole (With G1/2 plastic gland)
 With Cable (Maximum length 20 m)
 Conduit adapter(optional)

4-2. Terminal Box for Special pH/ORP Sensors WTB10-PH2, -PH4, -PH6

Used when using pH transmitter or converter and adapter with temperature sensor SA405.

Ambient temperature: -10 to 50°C
 Construction : JIS waterproof
 Case material : Fiberglass reinforced polycarbonate resin
 Case color : Grayish green (Munsell 2.5GY5.0/1.0)

Electrical connections:
 pH sensor side:
 Ø21mm hole (With G1/2 plastic gland)
 pH Transmitter or Converter side:
 Ø13mm hole (With G1/2 plastic gland)
 With Cable (Maximum length 20m)
 Conduit adapter(optional)
 Temperature sensor side: Pg7 plastic gland

5. Accessories (Purchased Separately)

See Model and Suffix Codes.

■ Compliance with the simple apparatus requirements

PH8EFP, PH8ERP and PH8EHP meet the simple apparatus requirements defined in the following standards.

Note: TIIS certified types cannot be connected.

Use the sensors under the conditions of use required by the standards.

Applicable standards:

ANSI/ISA-60079-11 (2014)
 ANSI/ISA-60079-0 (2009)
 CAN/CSA-C22.2 NO. 60079-11:14
 CAN/CSA-C22.2 NO. 60079-0:11
 방호장치 의무안전인증 고시
 GB 3836.4-2010

Conditions of use:

- (1) Use in combination with an internally isolated transmitter, or use with, a transmitter in combination with isolated barrier.
The FLXA21 is internally isolated.
- (2) Upper limit of the process temperature.
The upper limit of process temperature is indicated below when the sensor is used in combination with a YOKOGAWA transmitter.

For FLXA21, model and suffix code below is available.

FLXA21-D-□-D-EA-P1-○-A-N-LA-N-NN
 □ can be any value.
 ○ must be NN or P1.
 Any option code is available.

For PH202S, model and suffix code below is available.

PH202S-○-E
 ○ must be C or U.
 There are no PH202S models that meet the Korean explosion proof standards.
 Any option code is available.

● Upper limit of process temperature on the PH8EFP

Transmitter used in combination	FLXA21		PH202S	
	40°C	60°C	40°C	60°C
Ambient temperature Ta Temperature class	40°C	60°C	40°C	60°C
T6	16	16	28	28
T5	81	31	95 *1	43
T4	105	66	105	78
T3	105	105	105	105
T2	105	105	105	105
T1	105	105	105	105

*1: Care about upper limit 100°C of temperature class T5 should be taken.

● Upper limit of process temperature on the PH8ERP

Transmitter used in combination	FLXA21		PH202S	
	40°C	60°C	40°C	60°C
Ambient temperature Ta Temperature class	40°C	60°C	40°C	60°C
T6	16	16	28	28
T5	80	31	80	43
T4	80	66	80	78
T3	80	80	80	80
T2	80	80	80	80
T1	80	80	80	80

- Upper limit of process temperature on the PH8EHP

Transmitter used in combination	FLXA21		PH202S	
	40°C	60°C	40°C	60°C
Ambient temperature Ta				
Temperature class				
T6	16	16	28	28
T5	50	31	50	43
T4	50	50	50	50
T3	50	50	50	50
T2	50	50	50	50
T1	50	50	50	50

Other warnings are provided in the user's manual.

MODEL AND SUFFIX CODES

1. pH Sensor

- KCl Refillable Type pH Sensor

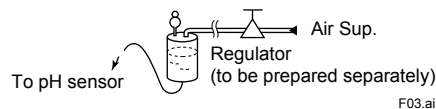
Model	Suffix Code	Option Code	Specifications
PH8ERP	KCl Refillable Type pH Sensor
Cable Length	-03	3m
	-05	5m
	-07	7m
	-10	10m
	-15	15m
	-20	20m
Solution Ground Tip	-TN	Titanium
	-HC	Hastelloy C
-	-N	Always -N
pH Measuring System	-T	For PH200/PH400 *1
	-E	For PH202/FLXA21 *2
	-F	For FLXA21 *6
	-B	For PH100 *3
	-G	For PH450G,PH202/TB *5
Style	*A	Style A
Option	O-ring	/PF	Daielperfrow *4

- *1: Mark band is shown by mark and fork terminals are used.
 *2: Mark band is shown by numeral and pin terminals are used.
 *3: The tag which indicated the color, the sign, and the number is attached to the cable of a sensor.
 *4: Choose Daielperfrow when this is used in organic solvent, high alkali or high temperature solution.
 *5: Mark band is shown by numeral and M3 ring terminals are used. When terminal box is used, select WTB10-PH3.
 *6: Mark band is shown by numeral and M4 ring terminals are used. When terminal box is used, select WTB10-PH5.

- KCl Filling Type pH Sensor

Model	Suffix Code	Option Code	Specifications
PH8EFP	KCl Filling Type pH Sensor
Cable Length and KCl Tube Length	-03	3m
	-05	5m
	-07	7m
	-10	10m
	-15	15m
	-20	20m
Solution Ground Tip	-TN	Titanium
	-HC	Hastelloy C
KCl Reserve Tank *1	-TT1	For general purpose (250 mL solution inlet)
	-TT2	For medium pressure *2
	-TT3	Big volume tank (With 500 mL tank)
	-TN1	For maintenance (for TT1, TT3)
	-TN2	For maintenance (for TT2)
-	-N	Always -N
pH Measuring System	-T	For PH200/PH400 *3
	-E	For PH202/FLXA21 *4
	-F	For FLXA21 *10
	-B	For PH100 *5
	-G	For PH450G,PH202/TB *9
Style	*A	Style A
Option	O-ring	/PF	Daielperfrow *6
	Special glass electrode	/HA	Glass electrode for high alkali *7
	Special junction	/TF	Teflon junction *8

- *1: 2-inch pipe mounting bracket is supplied with TT1, TT2 and TT3. Only a supply tube, but no KCl solution, is supplied with TN1 and TN2. Since a KCl solution is not supplied with TT2, arrange it from among accessories or auxiliary parts.
 *2: Prepare an air pressure regulator as shown in the diagram below when the medium-pressure reserve tank is used. To pH sensor, Regulator, (to be prepared separately)



- *3: Mark band is shown by mark and fork terminals are used.
 *4: Mark band is shown by numeral and pin terminals are used.
 *5: The tag which indicated the color, the sign, and the number is attached to the cable of a sensor.
 *6: Choose Daielperfrow when this is used in organic solvent, high alkali or high temperature solution.
 *7: Choose when using in high alkali solution.
 *8: Choose when using in the heavily contaminated application.
 *9: Mark band is shown by numeral and M3 ring terminals are used. When terminal box is used, select WTB10-PH3.
 *10: Mark band is shown by numeral and M4 ring terminals are used. When terminal box is used, select WTB10-PH5.

• Solid Electrolyte pH Sensor (Xerolyt)

Model	Suffix Code	Option Code	Specifications
HA405	Solid electrolyte pH sensor
Insertion Length	-120	120 mm
Option	For PH200/PH400 Cable Length *1	/01 /03 /05 /10 /15 /20	1 m (Fork terminal) 3 m (Fork terminal) 5 m (Fork terminal) 10 m (Fork terminal) 15 m (Fork terminal) 20 m (Fork terminal)
	For PH202/FLXA21 Cable Length *2	/01E /03E /05E /10E /15E /20E	1 m (Pin terminal) 3 m (Pin terminal) 5 m (Pin terminal) 10 m (Pin terminal) 15 m (Pin terminal) 20 m (Pin terminal)
	For FLXA21 Cable Length *6	/01F /03F /05F /10F /15F /20F	1 m (M4 ring terminal) 3 m (M4 ring terminal) 5 m (M4 ring terminal) 10 m (M4 ring terminal) 15 m (M4 ring terminal) 20 m (M4 ring terminal)
	For PH450G, PH202/TB Cable Length *5	/01G /03G /05G /10G /15G /20G	1 m (M3 ring terminal) 3 m (M3 ring terminal) 5 m (M3 ring terminal) 10 m (M3 ring terminal) 15 m (M3 ring terminal) 20 m (M3 ring terminal)
	Adapter *3	/S3 /PP /PV	Stainless steel Polypropylene Rigid polyvinyl-chloride
	O-ring	/PF	Daielperfrow *4

*1: Mark band is shown by mark and fork terminals are used.

*2: Mark band is shown by numeral and pin terminals are used.

*3: This is needed when using submersion type or flow-through type holder.

However this is not needed when using adapter with temperature sensor (SA405).

*4: Choose Daielperfrow when this is used in high alkali or high temperature alkaline solution.

*5: Mark band is shown by numeral and M3 ring terminals are used. When terminal box is used, select WTB10-PH4.

*6: Mark band is shown by numeral and M4 ring terminals are used. When terminal box is used, select WTB10-PH6.

• pH Sensors for Chemical Processes

Model	Suffix Code	Option Code	Specifications
DPA405	pH sensor for chemical process
Insertion Length	-120	120 mm
Option	For PH200/ PH400 Cable Length *1	/01 /03 /05 /10 /15 /20	1 m (Fork terminal) 3 m (Fork terminal) 5 m (Fork terminal) 10 m (Fork terminal) 15 m (Fork terminal) 20 m (Fork terminal)
	For PH202/ FLXA21 Cable Length *2	/01E /03E /05E /10E /15E /20E	1 m (Pin terminal) 3 m (Pin terminal) 5 m (Pin terminal) 10 m (Pin terminal) 15 m (Pin terminal) 20 m (Pin terminal)
	For FLXA21 Cable Length *6	/01F /03F /05F /10F /15F /20F	1 m (M4 ring terminal) 3 m (M4 ring terminal) 5 m (M4 ring terminal) 10 m (M4 ring terminal) 15 m (M4 ring terminal) 20 m (M4 ring terminal)
	For PH450G, PH202/TB Cable Length *5	/01G /03G /05G /10G /15G /20G	1 m (M3 ring terminal) 3 m (M3 ring terminal) 5 m (M3 ring terminal) 10m (M3 ring terminal) 15m (M3 ring terminal) 20m (M3 ring terminal)
	Adapter *3	/S3 /PP /PV /HPV /TN	Stainless steel Polypropylene Rigid polyvinyl-chloride Heat-resistant polyvinyl-chloride Titanium
	O-ring	/PF	Daielperfrow *4

*1: Mark band is shown by mark and fork terminals are used.

*2: Mark band is shown by numeral and pin terminals are used.

*3: This is needed when using submersion type or flow-through type holder. However this is not needed when using adapter with temperature sensor (SA405).

*4: Choose Daielperfrow when this is used in organic solvent, high alkali or high temperature alkaline solution.

*5: Mark band is shown by numeral and M3 ring terminals are used. When terminal box is used, select WTB10-PH4.

*6: Mark band is shown by numeral and M4 ring terminals are used. When terminal box is used, select WTB10-PH6.

• Hydrofluoric Acid-Resistant pH Sensor

Model	Suffix Code	Option Code	Specifications
HF405	Hydrofluoric acid-resistant pH sensor
Insertion Length	-120	120 mm
Option	For PH200/ PH400	/01 /03	1 m (Fork terminal) 3 m (Fork terminal)
Cable Length *1		/05 /10 /15 /20	5 m (Fork terminal) 10 m (Fork terminal) 15 m (Fork terminal) 20 m (Fork terminal)
	For PH202/ FLXA21	/01E /03E	1 m (Pin terminal) 3 m (Pin terminal)
Cable Length *2		/05E /10E /15E /20E	5 m (Pin terminal) 10 m (Pin terminal) 15 m (Pin terminal) 20 m (Pin terminal)
	For FLXA21	/01F /03F	1 m (M4 ring terminal) 3 m (M4 ring terminal)
Cable Length *6		/05F /10F /15F /20F	5 m (M4 ring terminal) 10 m (M4 ring terminal) 15 m (M4 ring terminal) 20 m (M4 ring terminal)
	For PH450G, PH202/TB	/01G /03G	1 m (M3 ring terminal) 3 m (M3 ring terminal)
Cable Length *5		/05G /10G /15G /20G	5 m (M3 ring terminal) 10 m (M3 ring terminal) 15 m (M3 ring terminal) 20 m (M3 ring terminal)
Adapter *3		/S3 /PP /PV	Stainless steel Polypropylene Rigid polyvinyl-chloride
O-ring		/PF	Daielperfrow *4

- *1: Mark band is shown by mark and fork terminals are used.
 *2: Mark band is shown by numeral and pin terminals are used.
 *3: This is needed when using submersion type or flow-through type holder. However this is not needed when using adapter with temperature sensor (SA405).
 *4: Choose Daielperfrow when this is used in organic solvent, high alkali or high temperature solution.
 *5: Mark band is shown by numeral and M3 ring terminals are used. When terminal box is used, select WTB10-PH4.
 *6: Mark band is shown by numeral and M4 ring terminals are used. When terminal box is used, select WTB10-PH6.

• Adapter with Temperature Sensor (for pH Meter)

Model	Suffix Code	Option Code	Specifications
SA405	Adapter with temperature sensor
Measuring System	-A -E -F -G	for PH200/PH400 *1 for PH202/FLXA21 *2 for FLXA21 *4 for PH450G,PH202/TB *3
Material of Temp. Sensor Cover/ Adapter	-HC -S3 -TN	Hastelloy C / Hastelloy C Stainless steel / PEEK Titanium / Titanium
Cable Length	-01 -03 -05 -10 -15 -20	1 m 3 m 5 m 10 m 15 m 20 m

- *1: Mark band is shown by mark and fork terminals are used.
 *2: Mark band is shown by numeral and pin terminals are used.
 *3: Mark band is shown by numeral and M3 ring terminals are used. When terminal box is used, select WTB10-PH4.
 *4: Mark band is shown by numeral and M4 ring terminals are used. When terminal box is used, select WTB10-PH6.

(Note) Use O-ring covered by Teflon (K9148MR) when using a special holder for electrolytic processes.

• pH Sensor for Small Culture Tanks

Model	Suffix Code	Option Code	Specifications
DPAS405	pH sensor for small culture tanks
Insertion Length *1	-120 -200 -325	120 mm 200 mm 325 mm
Option	For PH200/ PH400	/03 /05	3 m 5 m
Cable Length *2		/10 /15 /20	10 m 15 m 20 m
	For PH202	/03E /05E	3 m 5 m
Cable Length *3		/10E /15E /20E	10 m 15 m 20 m
O-ring		/PF	Daielperfrow *4

- *1: Use silicon bush or socket (DIN Pg13.5 female) for an insertion length of 120mm and 200mm.
 *2: Mark band is shown by mark and fork terminals are used.
 *3: Mark band is shown by numeral and pin terminals are used.
 *4: Choose Daielperfrow when this is used in organic solvent, high alkali or high temperature solution.

2. ORP Sensor

● KCI Refillable Type ORP Sensor

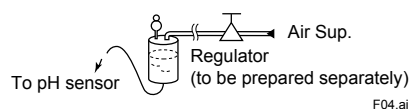
Model	Suffix Code	Option Code	Specifications
OR8ERG	KCI Refillable Type ORP Sensor
Electrode	-AU -PT	Gold Platinum
Cable Length	-03 -05 -07 -10 -15 -20	3m 5m 7m 10m 15m 20m
Measuring System	-N -E -F -B -G	For OR200/OR400 *1 For PH202/FLXA21 *2 For FLXA21 *5 For OR100 *3 For PH450G,PH202/TB *4
Style	*A	Style A

- *1: Mark band is shown by mark and fork terminals are used.
 *2: Mark band is shown by numeral and pin terminals are used.
 *3: The tag which indicated the color, the sign, and the number is attached to the cable of a sensor.
 *4: Mark band is shown by numeral and M3 ring terminals are used. When terminal box is used, select WTB10-PH3.
 *5: Mark band is shown by numeral and M4 ring terminals are used. When terminal box is used, select WTB10-PH5.

● KCI Filling Type ORP Sensor

Model	Suffix Code	Option Code	Specifications
OR8EFG	KCI Filling Type ORP Sensor
Electrode	-AU -PT	Gold Platinum
Cable Length and KCI Tube Length	-03 -05 -07 -10 -15 -20	3 m 5 m 7 m 10 m 15 m 20 m
KCI Reserve Tank *1	-TT1 -TT2 -TN1 -TN2	For general purpose (250 mL solution inlet) For medium pressure *2 For maintenance (for TT1) For maintenance (for TT2)
Measuring System	-N -E -F -B -G	For OR200/OR400 *3 For PH202/FLXA21 *4 For FLXA21 *7 For OR100 *5 For PH450G,PH202/TB *6
Style	*A	Style A

- *1: A 50A (2-inch) pipe mounting bracket is supplied with TT1 and TT2. Only a supply tube, but no KCI solution, is supplied with TN1 and TN2. Since a KCI solution is not supplied with TT2, arrange it from among accessories or auxiliary parts.
 *2: Prepare an air pressure regulator as shown in the diagram below when the medium-pressure reserve tank is used.



- *3: Mark band is shown by mark and fork terminals are used.
 *4: Mark band is shown by numeral and pin terminals are used.
 *5: The tag which indicated the color, the sign, and the number is attached to the cable of a sensor.
 *6: Mark band is shown by numeral and M3 ring terminals are used. When terminal box is used, select WTB10-PH3.
 *7: Mark band is shown by numeral and M4 ring terminals are used. When terminal box is used, select WTB10-PH5.

● Solid Electrolyte ORP Sensor (Xerolyt)

Model	Suffix Code	Option Code	Specifications
HA485	Solid electrolyte ORP sensor
Insertion Length	-120	120 mm
Option	For OR200/ OR400	/01 /03	1 m (Fork terminal) 3 m (Fork terminal)
Cable Length *1	/05 /10 /15 /20	5 m (Fork terminal) 10 m (Fork terminal) 15 m (Fork terminal) 20 m (Fork terminal)
Option	For PH202/ FLXA21	/01E /03E	1 m (Pin terminal) 3 m (Pin terminal)
Cable Length *2	/05E /10E /15E /20E	5 m (Pin terminal) 10 m (Pin terminal) 15 m (Pin terminal) 20 m (Pin terminal)
Option	For FLXA21	/01F	1 m (M4 ring terminal)
Cable Length *5	/03F /05F /10F /15F /20F	3 m (M4 ring terminal) 5 m (M4 ring terminal) 10 m (M4 ring terminal) 15 m (M4 ring terminal) 20 m (M4 ring terminal)
Option	For PH450G, PH202/TB	/01G /03G	1 m (M3 ring terminal) 3 m (M3 ring terminal)
Cable Length *4	/05G /10G /15G /20G	5 m (M3 ring terminal) 10 m (M3 ring terminal) 15 m (M3 ring terminal) 20 m (M3 ring terminal)
Option	Adapter *3	/S3 /PP /PV	Stainless steel Polypropylene Rigid polyvinyl-chloride

- *1: Mark band is shown by mark and fork terminals are used.
 *2: Mark band is shown by numeral and pin terminals are used.
 *3: This is needed when using submersion type or flow-through type holder.
 *4: Mark band is shown by numeral and M3 ring terminals are used. When terminal box is used, select WTB10-PH3.
 *5: Mark band is shown by numeral and M4 ring terminals are used. When terminal box is used, select WTB10-PH5.

• ORP Sensors for Chemical Processes

Model	Suffix Code	Option Code	Specifications
DPA485	ORP sensor for chemical process
Insertion Length	-120	120 mm
Option	For OR200/ OR400	/01 /03	1 m (Fork terminal) 3 m (Fork terminal)
Cable Length	/05 /10 /15 /20	5 m (Fork terminal) 10 m (Fork terminal) 15 m (Fork terminal) 20 m (Fork terminal)
	For PH202/ FLXA21	/01E /03E /05E /10E /15E /20E	1 m (Pin terminal) 3 m (Pin terminal) 5 m (Pin terminal) 10 m (Pin terminal) 15 m (Pin terminal) 20 m (Pin terminal)
	For FLXA21	/01F /03F /05F /10F /15F /20F	1 m (M4 ring terminal) 3 m (M4 ring terminal) 5 m (M4 ring terminal) 10 m (M4 ring terminal) 15 m (M4 ring terminal) 20 m (M4 ring terminal)
	For PH450G, PH202/TB	/01G /03G /05G /10G /15G /20G	1 m (M3 ring terminal) 3 m (M3 ring terminal) 5 m (M3 ring terminal) 10 m (M3 ring terminal) 15 m (M3 ring terminal) 20 m (M3 ring terminal)
	Adapter	/S3 /PP /PV /HPV /TN	Stainless steel Polypropylene Rigid polyvinyl-chloride Heat-resistant polyvinyl-chloride Titanium

- *1: Mark band is shown by mark and fork terminals are used.
 *2: Mark band is shown by numeral and pin terminals are used.
 *3: This is needed when using submersion type or flow-through type holder.
 *4: Mark band is shown by numeral and M3 ring terminals are used. When terminal box is used, select WTB10-PH3.
 *5: Mark band is shown by numeral and M4 ring terminals are used. When terminal box is used, select WTB10-PH5.

• ORP Sensor for Small Culture Tanks

Model	Suffix Code	Option Code	Specifications
DPAS485	ORP sensor for chemical process
Insertion Length	-120 -200 -325	120 mm 200 mm 325 mm
Option	For OR200/ OR400	/03 /05	3 m 5 m
Cable Length	/10 /15 /20	10 m 15 m 20 m
	For PH202	/03E /05E /10E /15E /20E	3 m 5 m 10 m 15 m 20 m

- *1: Use silicon bush or socket (DIN Pg13.5 female) for an insertion length of 120 mm and 200 mm.
 *2: Mark band is shown by mark and fork terminals are used.
 *3: Mark band is shown by numeral and pin terminals are used.

3. pH Measuring System for High Purity Water

• pH Sensor for High Purity Water

Model	Suffix Code	Option Code	Specifications
PH8EHP	pH sensor for high purity water
Cable Length	-03 -05 -07 -10 -15 -20	3 m 5 m 7 m 10 m 15 m 20 m
Solution Ground Tip	-TN	Titanium
KCl Reserve Tank *1	-TT1 -TT3 -TN1	For general purpose (250 mL solution inlet) Big volume tank (With 500 mL tank) For maintenance (for TT1)
-	-N	Always -N
Measuring System	-H -E -F -G	For PH200/PH400 *2 For PH202/FLXA21 *3 For FLXA21 *5 For PH450G,PH202/TB *4
Style	*A	Style A

- *1: Only a KCl supply tube is supplied with TN1. KCl solution is supplied with TT1 and TT3.
 *2: Mark band is shown by mark and fork terminals are used.
 *3: Mark band is shown by numeral and pin terminals are used.
 *4: Mark band is shown by numeral and M3 ring terminals are used. When terminal box is used, select WTB10-PH3.
 *5: Mark band is shown by numeral and M4 ring terminals are used. When terminal box is used, select WTB10-PH5.

• pH Holder for High Purity Water

Model	Suffix Code	Option Code	Specifications
PH8HH	pH Holder for High Purity Water, wall-mount type
Connection ports	-JPT -NPT	Rc1/4 (Inlet), Rc1/2 (Outlet) 1/4NPT (Inlet), 1/2NPT (Outlet)
-	-H	Always -H
Style	*A	Style A
Option	Mounting Bracket	/P	Pipe mounting bracket

4. Terminal Box

• Terminal Box

Model	Suffix Code	Option Code	Specifications
WTB10			Terminal box
Combined System	-PH1		For PH202, FLXA21 (General sensor of pin terminals)
	-PH2		For PH202, FLXA21 (Special sensor, of pin terminals) *1
	-PH3		For PH450G, PH202/TB (General sensor) *4
	-PH4		For PH450G, PH202/TB (Special sensor) *1 *4
	-PH5		For FLXA21 (General sensor) *5
	-PH6		For FLXA21 (Special sensor) *1 *5
-	-NN		Always -H
Cable Length (*2)	-00		0 m *3
	-05		5 m
	-10		10 m
	-15		15 m
Option	Mounting Bracket	/P /W	Pipe mounting bracket Wall mounting bracket
	Conduit Adapter	/AWTB /ANSI	G1/2 1/2NPT

- *1: Use -PH2, -PH4, -PH6 of combined system when using adapter with temperature sensor (SA405) is used.
 *2: For WTB10 of combined system, maximum cable length including sensor cable length should be 20 m.
 *3: The dedicated extension cable should be used.
 *4: M3 screw terminals and cable with M3 ring terminals are used.
 *5: M4 screw terminals and cable with M4 ring terminals are used.

5. Accessories

• Accessories for pH Meter

Model	Suffix Code	Option Code	Specifications
PH8AX			Accessories for pH meter *1
Calibration Reagents	-L		Two bottles, each containing 250 mL solution (pH7 and pH4)
	-P		24 bags, each bag containing powder for 500 mL solution (pH7 X 12 bags and pH4 X 12 bags) and two 500 mL polyethylene bottles.
Style	*A		Style A
Option *2		/STD	Sensor stand (with mounting bracket for 50A 2-inch pipe)
		/KCLL	KCl solution (one 250 mL polyethylene bottle)
		/KCLP	KCl powder (three bags, 250 mL solution each)
		/TMP	Thermometer (0 to 100°C)

- *1: Including the following:
 Two 200 mL polyethylene cups
 One cleaning bottle
 *2: Either /KCLL or /KCLP is required for PH8EFP-□-□-TT2.

• Accessories for ORP Meter

Model	Suffix Code	Option Code	Specifications
OR8AX			Accessories for ORP meter *1
Style	*A		Style A
Option *2		/STD	Sensor stand (with mounting bracket for 50A 2-inch pipe)
		/KCLL	KCl solution (one 250 mL polyethylene bottle)
		/KCLP	KCl powder (three bags, 250 mL solution each)
		/TMP	Thermometer (0 to 100°C)

- *1: Including the following:
 Two 200 mL polyethylene cups
 One cleaning bottle
 One pack of quinhydrone reagent powder (three bags, 250 mL solution each)
 One 250 mL polyethylene bottle
 *2: Either /KCLL or /KCLP is required for PH8EFP-□-□-TT2.

6. Spare Parts

• Spare Parts for pH Meter

Part Name	Part Number	Remarks	
Glass electrode	General purpose	K9142TN	One for PH8ERP, PH8EFP, PH8EHP
		K9319NA	One for PH8ERP/PF, PH8EFP/PF
	Certified version	K9142TP	One for PF8EFP
		K9319NB	One for PH8EFP/PF
	High alkali	K9142TU	One for PH8EFP/HA
	K9319NC	One for PH8EFP/HA, /PF	
Junction	General purpose	K9142TH	One for PH8ERP, PH8EFP
		K9319QA	One for PH8ERP, PH8EFP/PF
	High purity water	K9142TK	One for PH8EHP
	Teflon	K9142HW	One for PH8EFP/TF
	K9319QB	One for PH8EFP/TF/PF	
Cable with M4 ring terminal for FLXA21	1 m	K9148XA	for HA405,DPA405,HF405
	3 m	K9148XB	for HA405,DPA405,HF405
	5 m	K9148XC	for HA405,DPA405,HF405
	10 m	K9148XD	for HA405,DPA405,HF405
	15 m	K9148XE	for HA405,DPA405,HF405
	20 m	K9148XF	for HA405,DPA405,HF405

Spare Parts for pH Meter

Part Name	Part Number	Remarks
Cable with M3 ring for PH202/TB PH450G *1	1 m	K9148WA for HA405,DPA405,HF405
	3 m	K9148WB for HA405,DPA405,HF405
	5 m	K9148WC for HA405,DPA405,HF405
	10 m	K9148WD for HA405,DPA405,HF405
	15 m	K9148WE for HA405,DPA405,HF405
Cable with fork terminal for PH200/PH400	1 m	K9148KE for HA405,DPA405,HF405
	3 m	K9148KF for HA405,DPA405,HF405
	5 m	K9148KG for HA405,DPA405,HF405
	10 m	K9148KH for HA405,DPA405,HF405
	15 m	K9148KJ for HA405,DPA405,HF405
	20 m	K9148KK for HA405,DPA405,HF405
	3 m	K9148RB for DPAS405
	5 m	K9148RC for DPAS405
	10 m	K9148RD for DPAS405
	15 m	K9148RE for DPAS405
	20 m	K9148RF for DPAS405
Cable with pin terminal for PH202/FLXA21	1 m	K9148VA for HA405,DPA405,HF405
	3 m	K9148VB for HA405,DPA405,HF405
	5 m	K9148VC for HA405,DPA405,HF405
	10 m	K9148VD for HA405,DPA405,HF405
	15 m	K9148VE for HA405,DPA405,HF405
	20 m	K9148VF for HA405,DPA405,HF405
	3 m	K9148VH for DPAS405
	5 m	K9148VJ for DPAS405
	10 m	K9148VK for DPAS405
	15 m	K9148VL for DPAS405
Adapter	316 SS	K9148NA for HA405, HA406, DPA405, DPA406, HF405
	Polypropylene	K9148NB for HA405, HA406, DPA405, DPA406, HF405
	Rigid polyvinyl-chloride	K9148NC for HA405, HA406, DPA405, DPA406, HF405
	Heat-resistant polyvinyl-chloride	K9148ND for DPA405, DPA406
KCl solution (3.3 mol/L)	K9084LP	Six 250 mL polyethylene bottles
Buffer solution for calibration (pH4)	K9084LL	Six 250 mL polyethylene bottles
Buffer solution for calibration (pH7)	K9084LM	Six 250 mL polyethylene bottles
Buffer solution for calibration (pH9)	K9084LN	Six 250 mL polyethylene bottles
Powder for buffer solution (pH4)	K9020XA	12 bags, each for preparation of 500 mL
Powder for buffer solution (pH7)	K9020XB	12 bags, each for preparation of 500 mL
Powder for buffer solution (pH9)	K9020XC	12 bags, each for preparation of 500 mL
KCl powder (for PH8EFP, PH8EHP)	K9020XU	8 bags, each for preparation of 250 mL
KCl powder (for PH8ERP)	K9142UT	2 bags, 1 bottle of 3.3 mol/L KCl, 1 syringe

*1 Applicable terminal box are WTB10-PH3 or WTB10-PH4.

(Note): The pH value of the calibrating buffer solution may vary depending on storage conditions.
Prepare a new solution from powder for accurate instrument calibration

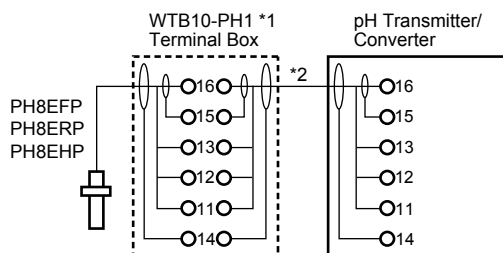
Spare Parts for ORP Meter

Part Name	Part Number	Remarks
Sensor	Platinum	K9142TS One for OR8ERG,OR8EFG
	Gold	K9142TT One for OR8ERG,OR8EFG
Junction	K9142TH	One for OR8ERG,OR8EFG
Cable with fork terminal for OR200/OR400	1 m	K9148KE for HA485,DPA485
	3 m	K9148KF for HA485,DPA485
	5 m	K9148KG for HA485,DPA485
	10 m	K9148KH for HA485,DPA485
	15 m	K9148KJ for HA485,DPA485
	20 m	K9148KK for HA485,DPA485
	3 m	K9148RB for DPAS485
	5 m	K9148RC for DPAS485
	10 m	K9148RD for DPAS485
	15 m	K9148RE for DPAS485
	20 m	K9148RF for DPAS485
Adapter	SS	K9148NA for HA485,DPA485
	PP	K9148NB for HA485,DPA485
	PVC	K9148NC for HA485,DPA485
	HPVC	K9148ND for DPA485
	Titanium	K9148NE for DPA485

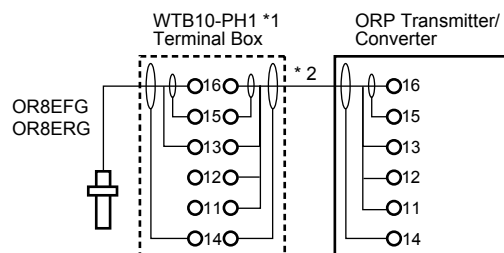
Part Name	Part Number	Remarks
Cable with M4 ring terminal for FLXA21	1 m	K9148XA for HA485,DPA485
	3 m	K9148XB for HA485,DPA485
	5 m	K9148XC for HA485,DPA485
	10 m	K9148XD for HA485,DPA485
	15 m	K9148XE for HA485,DPA485
	20 m	K9148XF for HA485,DPA485
Cable with M3 ring terminal for PH202/TB PH450G	1 m	K9148WA for HA485,DPA485
	3 m	K9148WB for HA485,DPA485
	5 m	K9148WC for HA485,DPA485
	10 m	K9148WD for HA485,DPA485
	15 m	K9148WE for HA485,DPA485
	20 m	K9148WF for HA485,DPA485
Cable with pin terminal for PH202/FLXA21	1 m	K9148VA for HA485,DPA485
	3 m	K9148VB for HA485,DPA485
	5 m	K9148VC for HA485,DPA485
	10 m	K9148VD for HA485,DPA485
	15 m	K9148VE for HA485,DPA485
	20 m	K9148VF for HA485,DPA485
	3 m	K9148VH for DPAS485
	5 m	K9148VJ for DPAS485
	10 m	K9148VK for DPAS485
15 m	K9148VL for DPAS485	
20 m	K9148VM for DPAS485	
KCl solution (3.3 mol/L)	K9084LP	Six 250 mL polyethylene bottles
KCl powder (for OR8EFG)	K9020XU	8 bags, each for preparation of 250 mL
KCl powder (for OR8ERG)	K9142UT	2 bags 1 bottle of 3.3 mol/L KCl, 1 syringe
Reagent for check	Quinhydrone	K9024EC 3 bags, each for preparation of 250 mL
	Iron	K9024ED 3 bags, each for preparation of 250 mL

■ WIRING DIAGRAMS

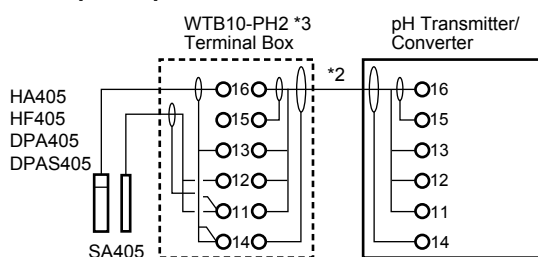
General purpose pH sensor



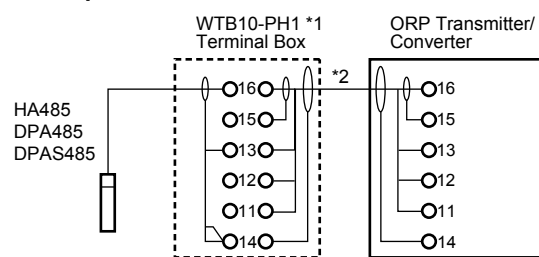
General purpose ORP sensor



Special pH sensor



Special ORP sensor



*1 : Terminal box is used only where pH/ORP transmitter is installed remotely from pH or ORP sensor (normally not needed).

When combined PH450G, PH202/TB, use WTB10-PH3 terminal box. When combined by M4 ring terminals with FLXA21, use WTB10-PH5 terminal box.

*2 : This cable is specified in the option code for the terminal box.

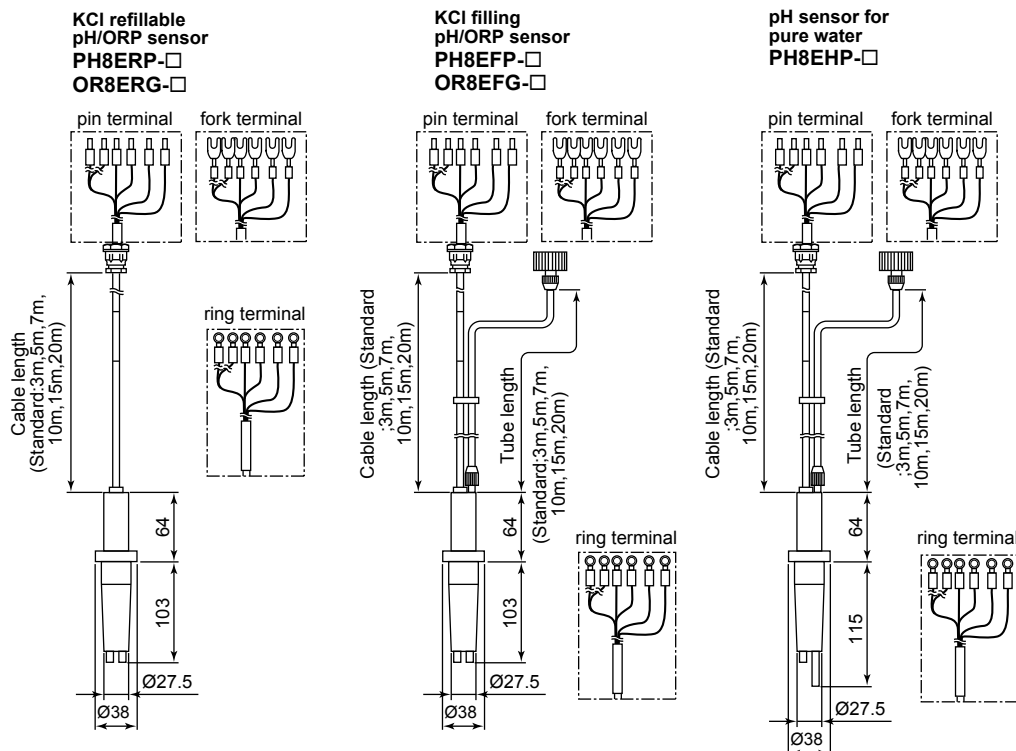
*3 : Should be used when using combined PH202G, FLXA21 and SA405. When combined PH450G, PH202/TB and SA405, use WTB10-PH4 terminal box.

When combined by M4 ring terminals with FLXA21 and SA405, use WTB10-PH6 terminal box.

F05.ai

■ DIMENSIONS

Unit : mm

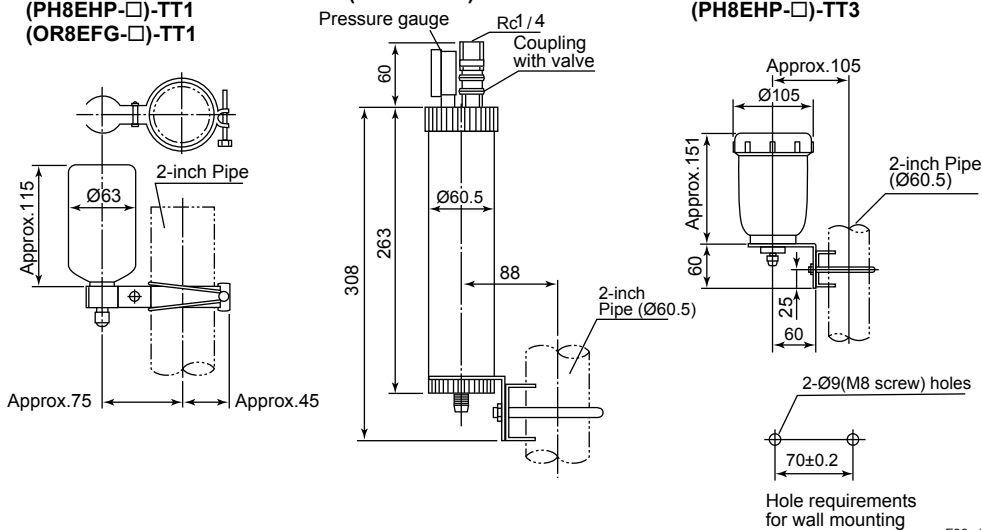


(Note) Numbers of terminal for ORP sensor is four.

General purpose KCl reserve tank for KCl filling pH/ORP sensor and pH sensor for high purity water (with mounting bracket)
(PH8EFP-□)-TT1
(PH8EHP-□)-TT1
(OR8EFG-□)-TT1

Medium pressure KCl reserve tank for KCl filling pH/ORP sensor (with mounting bracket)
(PH8EFP-□)-TT2
(OR8EFG-□)-TT2

Big volume tank KCl reserve tank for KCl filling pH sensor and pH sensor for high purity water. (with mounting bracket)
(PH8EFP-□)-TT3
(PH8EHP-□)-TT3

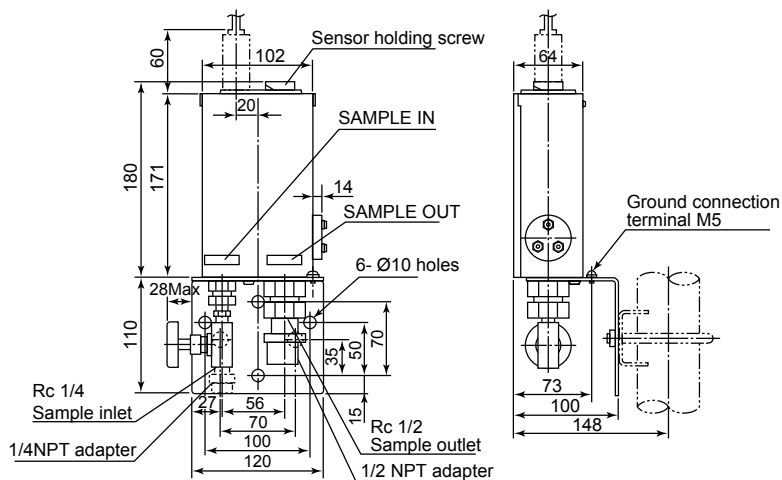


F06.ai

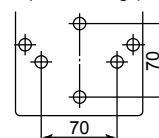
Holder for high purity water PH8HH

Unit : mm

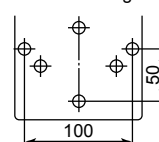
Hole dimensions for Holder mounting



1. Pipe mounting (2-inch pipe)



2. Wall mounting



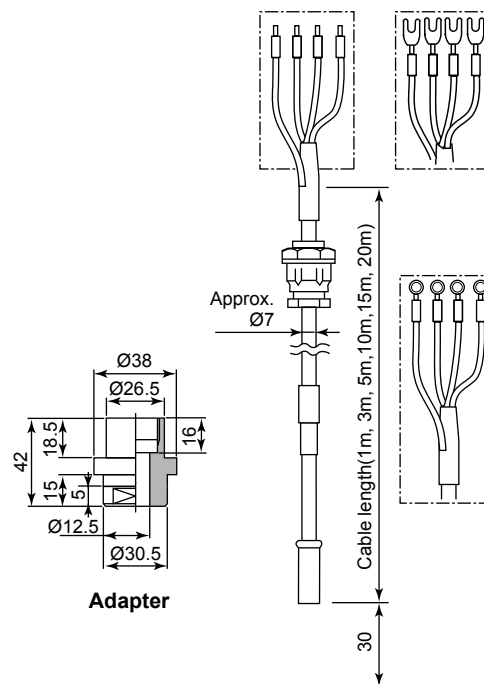
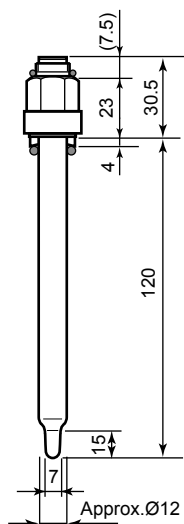
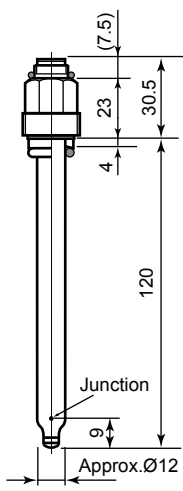
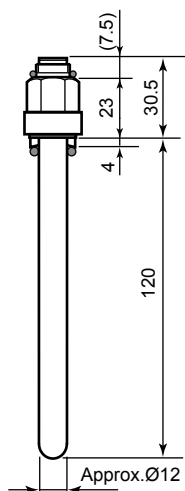
F07.ai

Solid electrolyte pH sensor (Xerolyt) HA405

Solid electrolyte ORP sensor (Xerolyt) HA485

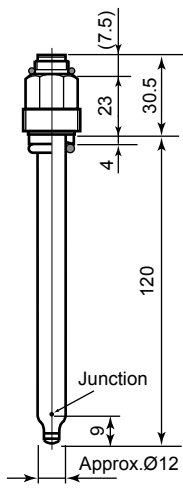
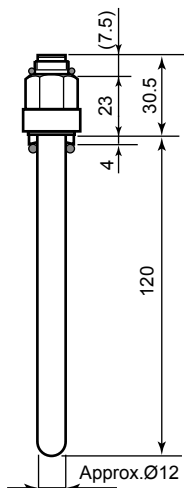
Hydrfluoric Acid-Resistant pH sensor HF405

Unit : mm



pH sensors for chemical processes DPA405

ORP sensors for chemical processes DPA485

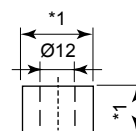
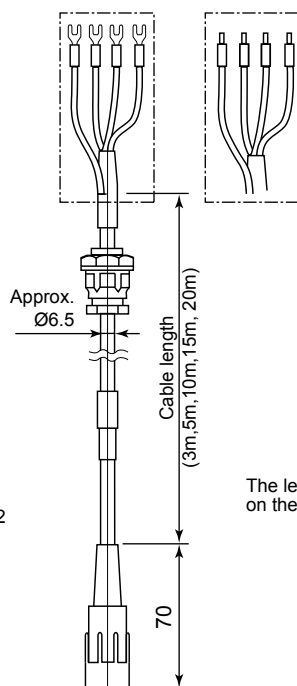
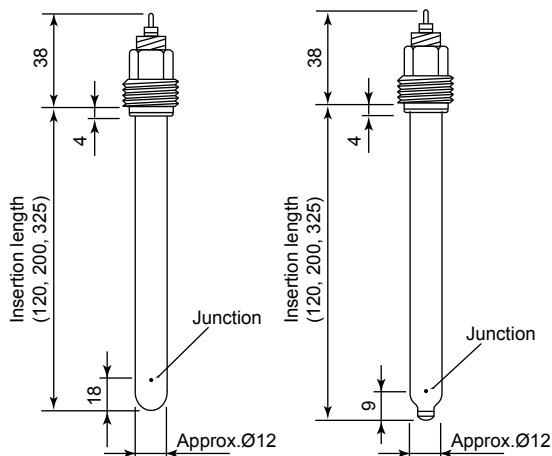


F08.ai

pH sensors for small culture tanks DPAS405

ORP sensors for small culture tanks DPAS485

Unit : mm



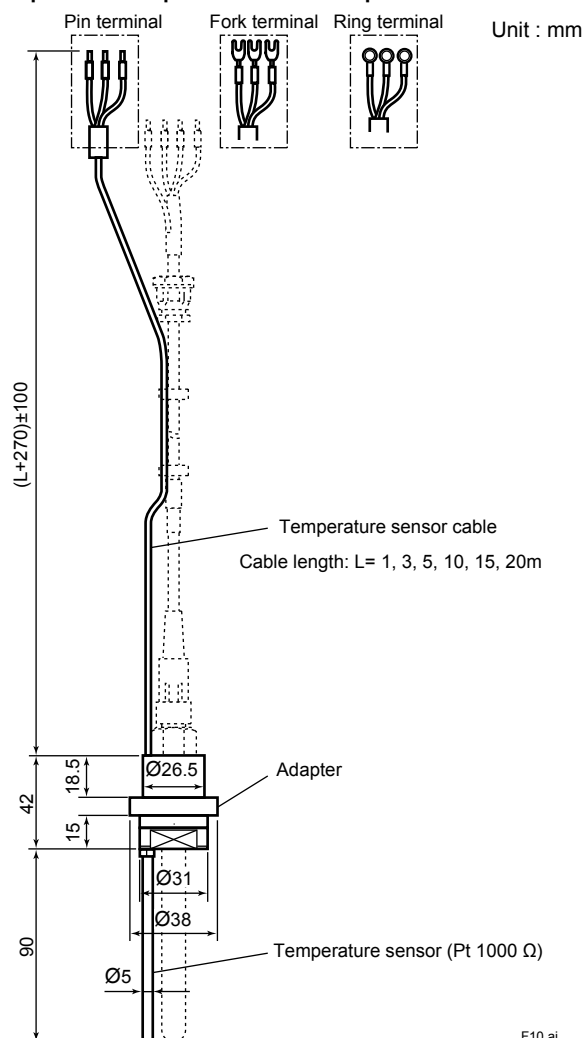
Silicon bush

The length marked with an asterisk (*1) is depending on the sensor insertion.

F09.ai

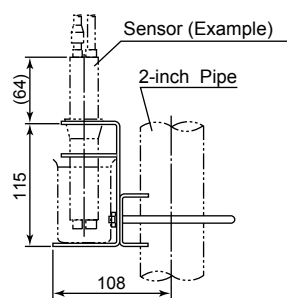
Adapter with temperature sensor for pH sensor SA405

Unit : mm



F10.ai

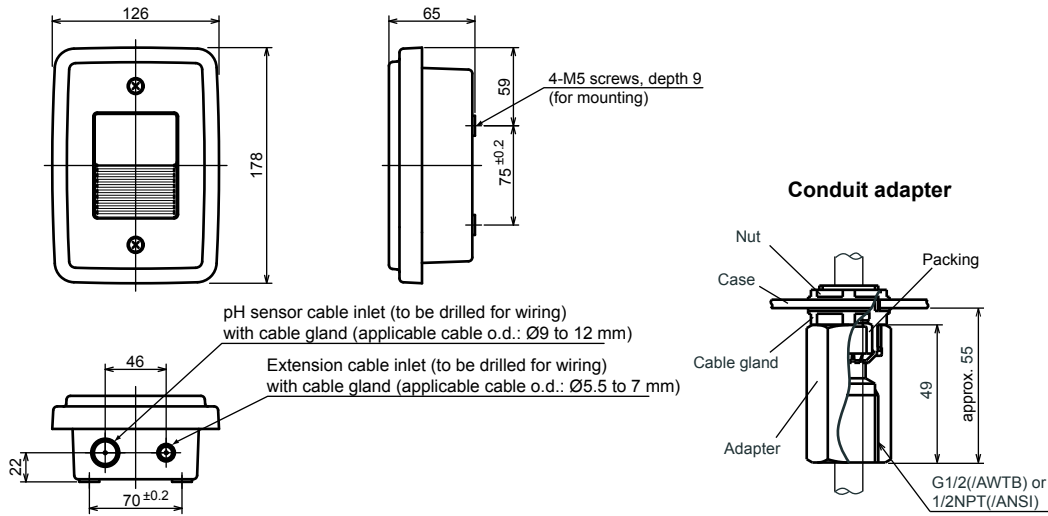
Sensor stand (PH8AX-□)/STD (OR8AX-□)/STD



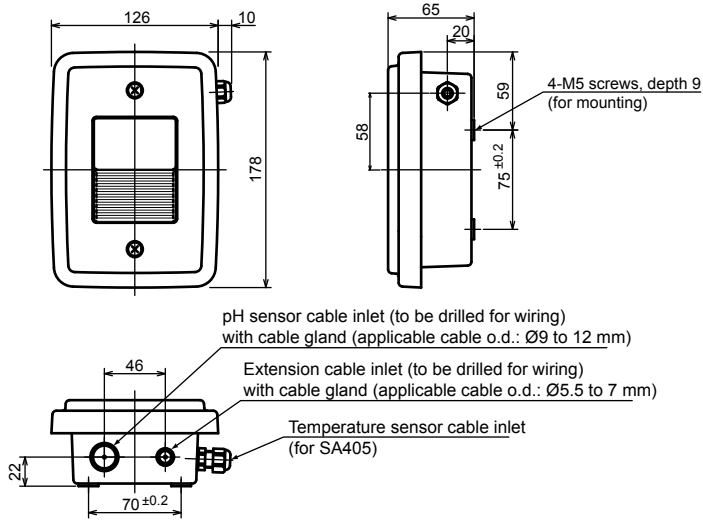
F11.ai

Terminal box WTB10-PH1, -PH3, -PH5

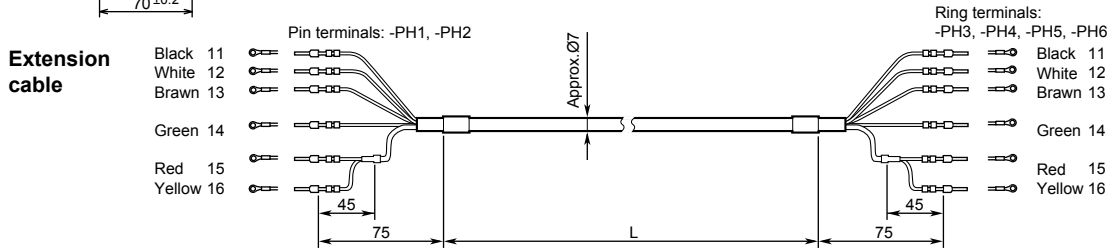
Unit : mm



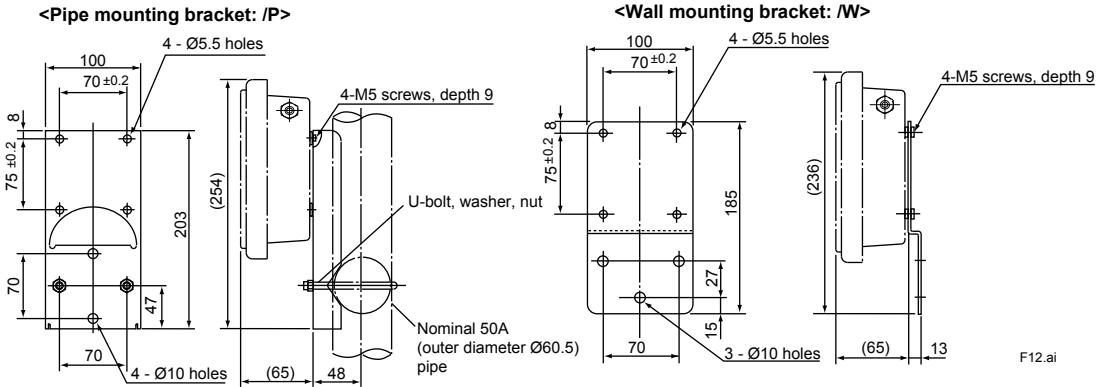
Terminal box WTB10-PH2, -PH4, -PH6



Model and code	L
WTB10 - PH□ - NN - 05	Approx. 5 000
WTB10 - PH□ - NN - 10	Approx. 10 000
WTB10 - PH□ - NN - 15	Approx. 15 000



Mounting bracket for terminal box



■ SELECTION CRITERIA FOR pH/ORP SENSOR AND HOLDER

<General Overall Criteria>

- (1) When any of the two conditions listed below are applicable, select a KCl filling type pH sensor and either the submersion or flow-through type holder.
- The solution is out of the range $2 < \text{pH} < 12$.
 - The solution contains organic or oil in the order of a few percent.
- (2) When any of the two conditions listed below are applicable, consult our salesperson.
- Strong oxidizing solutions such as aqua regia, chromic acid, hypochloric acid, perchloric acid.
 - The solution contains corrosive gases (ammonia, chlorine, hydrogen sulfide).

<Individual Criteria>

○: Can be used, △:Shortens useful life, ×:Cannot be used

	Chemical	Concentration W/V (%)	pH *1 (25°C)	Holder	
				Flow-through, Submersion	Guide-pipe
Inorganic acid	Sulfuric acid	0.5	1.0	○	×
		0.05	2.0	○	○
	Hydrochloric acid	0.4	1.0	○	×
		0.04	2.0	○	○
	Nitric acid	0.6	1.0	○	×
		0.06	2.0	○	○
	Phosphoric acid	1.0	1.5	○	△
	Boric acid	0.6	5.0	○	○
Organic acid	Carbonic acid	0.6	3.6	○	△
	Chromic acid	1.2	0.8	○	×
	Sulfurous acid	0.8	1.4	○	△
	Acetic acid	0.6	2.8	○	○
	Formic acid	0.5	2.3	○	○
	Oxalic acid	0.9	1.0	○	○
Alkali	Lactic acid	0.9	2.4	○	○
	Phenol acid	0.9	5.4	○	△
	Monochloroacetic acid	0.9	1.8	○	×
	Calcium hydroxide	0.2	12.4	○	○
	Potassium hydroxide	0.5	12.7	○	△
	Sodium hydroxide	0.4	12.9	○	△
Acid salts	Ammonium chloride	5		○	○
	Aluminous water	5		○	○
	Zinc chloride	5		○	○
	Ferric chloride	5		○	○
	Ferric nitrate	5	1.3	○	△
Basic salts	Sodium sulfite	5		○	○
	Sodium carbonate	5	11.8	○	○
	Sodium phosphate	5		○	△
Neutral salts	Potassium chloride	5		○	○
	Sodium sulfate	5		○	○
	Calcium chloride	5		○	○
	Sodium nitrate	5	8.2	○	×
	Aluminum chloride	5		○	○
Oxidizing agents	Hydrogen peroxide	1		○	○
	Sodium hypochlorite solution	1	12.5	○	△
	Chlorinated lime	1		○	△
	Potassium bichromate	5	4.5	○	○
Organic solvents	Alcohol	10		○	△
	Organic solvent or oil (excluding alcohol)			○	×

*1: pH values in table are calculated from dissociation constant (including measured value).

Table of Corrosion-Resistant Materials (The data should be used for reference only)

Note: This table shows corrosion resistance for each single substance alone. If a sample contains two or more substances, then the corrosion resistance may differ from that given in this table.

- ◎ : Excellent
 ○ : Good
 △ : Not so good
 × : Unusable

	Holder material			Ultrasonic transducer material Sensor solution ground tip				Seal O-ring material	Sensor body material	Remarks				
	Polypropylene	316 SS	Hastelloy C	Titanium	Viton	Ryton								
	Concent'n	Temp	Judge	Concent'n	Temp	Judge	Concent'n	Temp	Judge	Concent'n	Temp	Judge		
Inorganic acid	Sulfurous acid	100	20	◎	6	30	◎	6	30	◎	-			
		90	◎											
	Hydrochloric acid	5	20	◎	5	30	×	5	30	◎	5	30	◎	
		5	80	◎										
	Chromic acid	20	20	△	10	b	○	20	30	○	10	b	◎	
	Hypochlorous Acid	10	20	◎	14	30	×	15	43	◎	20	40	◎	
		10	40	○										
	Hydrobromic acid	-			-			-			40	30	◎	
	Nitric acid	10	20	◎	10	30	◎	10	30	◎	10	100	○	
10		80	◎											
Hydroiodic acid	57	20	◎	57	25	×	-			57	30	○		
	57	70	◎											
Sulfuric acid	3	20	◎	6	30	◎	5	30	◎	5	30	◎		
	3	100	◎	5	100	×	5	70	◎	5	100	×		
Phosphoric acid	30	60	◎	15	30	◎	5	30	◎	5	30	◎		
	30	100	△	5	b	◎	5	b	◎	5	60	○		
Alkali	Ammonia water	15	80	◎	10	b	◎	10	b	◎	10	b	◎	
		15	100	○	28	65	◎	20	65	◎	20	65	◎	
	Potassium hydroxide	-			10	b	◎	10	b	◎	10	b	◎	
		-			25	b	◎	25	b	◎	25	b	○	
	Sodium hydroxide	20	80	◎	20	30	◎	20	30	◎	20	30	◎	
		20	100	◎	20	b	◎	20	b	◎	20	b	◎	
	Sodium hydroxide, Sodium hydroxide 9 to 11% +Sodium chloride 15%	100			-			-			93	◎		
Potassium carbonate	-			5	b	◎	5	b	◎	5	b	◎		
Sodium carbonate	sat.	100	◎	25	b	◎	25	b	◎	25	b	◎		
Chlorides	Zinc chloride	-			20	b	△	20	b	◎	20	b	◎	
	Aluminum chloride	-			25	25	×	-			10	b	◎	
		-			25	25	×	-			25	b	×	
	Ammonium chloride	35	40	◎	25	b	△	25	b	◎	25	b	◎	
	Potassium chloride	sat.	60	◎	sat.	60	◎	sat.	60	◎	sat.	60	◎	
	Calcium chloride	sat.	80	◎	25	b	○	25	b	◎	25	b	◎	
	Ferric chloride	sat.	100	◎										
		20	40	◎	30	b	×	30	b	×	30	b	◎	
Sodium chloride, 20% + Saturated Cl ₂ (Electrolysis solution)	100			90			90			90				
Seawater, Magnesium chloride	24	◎	24	△	-			24			◎			
	sat.	80	◎	42	b	△	42	b	◎	40	b	◎		
Sulfates	Ammonium sulfate	5	60	◎	20	b	◎	20	b	◎	20	b	◎	
		◎			sat.	30	◎	sat.	30	◎	sat.	30	◎	
	Potassium sulfate	-			10	b	◎	10	b	◎	10	b	◎	
Sodium sulfate	Corrosion resistance is good for usual salts.			20	b	◎	20	b	◎	20	b	◎		
Ammonium nitrate				20	b	◎	20	b	◎	20	b	◎		
				Sodium nitrate	50	b	◎	-			50	b	◎	
Sodium sulfite	-			20	b	◎	-			20	b	◎		
Others	Hydrogen peroxide	-			10	30	◎	-			10	30	◎	
	Sodium sulfide	30	90	◎	2	60-90	×	2	60-90	△	15	30	◎	
		20	80	◎										
	Potassium bichromate	-			10	b	◎	10	b	◎	10	b	◎	
	Sodium sulfide	60	80	◎	10	b	◎	-			10	b	◎	
Sodium bisulfate	-			10	b	△	-			10	b	◎		
Gases	Wet chlorine gas	20	○	30			×	30			△	30		
		40	△											
		60	×											
	Sea water + Saturated Cl ₂	-			95			×	95			△	95	
	Bromine gas	-			-			30			◎	30		
Hydrogen sulfide	-			20			◎	-			20			
Sulfurous acid gas	80	◎												
	100	◎												

(Note): "b" refers to the boiling point.

	Holder material			Ultrasonic transducer material Sensor solution ground tip						Seal O-ring material			Sensor body material			Remarks			
	Polypropylene			316 SS			Hastelloy C			Titanium			Viton				Ryton		
	Concent'n	Temp	Judge	Concent'n	Temp	Judge	Concent'n	Temp	Judge	Concent'n	Temp	Judge	Concent'n	Temp	Judge		Concent'n	Temp	Judge
Organic substances	Acetaldehyde	20	◎	100	30	◎	-	-	-	-	-	100	20	○					
	Acetone	100	20	○	50	25	◎	-	-	-	100	25	×	100	b	○			
		100	100	△	100	110	◎												
	Aniline	100	20	◎	100	25	◎	-	-	-	-	-	100	90	○				
		100	70	○															
		100	100	△															
	Ether	100	20	△	100	25	◎	-	-	-	-	-	100	20	◎				
	Ethylene glycol	100	70	◎	100	25	◎	-	-	-	-	-	-	-	-				
		100	100	◎															
	Ethyl alcohol	96	70	◎	100	b	◎	-	-	-	-	-	100	90	◎				
	Methyl chloride	100	20	×	100	25	◎	-	-	-	-	-	-	-	-				
	Glacial acetic acid	100	70	◎	-	-	-	-	-	-	100	24	×	100	20	◎			
		100	100	○															
	Glycerin	100	70	◎	100	25	◎	-	-	-	-	-	-	-	-				
		100	100	◎															
	Chlorophenol	100	20	◎	-	-	-	-	-	-	-	-	100	20	◎				
		100	70	△															
		100	100	×															
	Xylene	100	20	×	-	-	-	-	-	-	-	-	100	20	◎				
	Chlorobenzene	100	20	×	-	-	-	-	-	-	-	-	-	-	-				
		100	100	×															
	Chloroform	100	20	×	100	b	◎	100	b	◎	100	b	◎	-	100	90	△		
	Dioxane	100	20	◎	-	-	-	-	-	-	-	-	100	90	◎				
		100	70	△															
		100	100	×															
	Dichloroethane	100	70	×	-	-	-	-	-	-	-	-	-	-	-				
	Ethyl nitrate	100	20	◎	100	105	◎	-	-	-	-	-	100	90	○				
		100	100	△															
	Carbon tetrachloride	100	20	×	90	b	△	-	-	90	b	◎	100	24	×	-			
	Trichloroethylene	100	20	×	100	b	○	100	b	◎	100	b	◎	-	100	90	×		
Toluene	100	20	×	-	-	-	-	-	145	◎	-	-	100	90	◎				
Benzophenone	-	-	-	-	-	-	-	-	-	-	-	-	-	-					
Benzaldehyde	100	20	◎	-	-	-	-	-	-	-	-	100	20	△					
	100	70	○									100	90	×					
	100	100	×																
Benzyl alcohol	100	20	◎	100	30	△	-	-	100	30	○	100	25	○	100	90	◎		
benzene																			
Fomaldehyde	10	70	◎	37	b	◎	37	b	◎	37	b	◎	-	-					
	10	100	◎																
Methylnaphthelen			◎	-	-	-	-	-	-	-	-	-	-	-					
Methyl ethyl ketone	100	20	○	-	-	-	-	-	-	-	-	-	100	90	◎				
	100	70	△																
Methyl alcohol	100	20	◎	100	25	◎	-	-	-	-	-	-	100	25	◎				
Nitrobenzene	100	20	◎	-	-	-	-	-	-	-	-	-	100	90	×				
	100	70	○																
	100	100	×																
Acetic acid	100	20	◎	10	b	◎	-	-	10	b	◎	-	-	-					
	100	70	△																
	100	100	×																
Phenol	100	20	◎	95	30	◎	95	30	○	95	30	◎	-	100	90	△			
	100	100	○																
Benzonic acid	100	-	-	-	-	-	-	-	-	-	-	-	-	-					
Motor oil	100	20	◎	-	-	-	-	-	-	-	-	-	100	20	◎				
	100	70	○																
	100	100	△																
Petroleum ether	100	20	◎	-	-	-	-	-	-	-	-	-	100	20	○				
Kerosene	100	20	○	-	-	-	-	-	101	◎	-	-	100	20	○				
	100	70	×																
Tartaric acid	10	40	◎	50	100	△	50	100	△	50	100	◎	-	-					
	10	60	○																
	10	80	△																
Oil and fats	100	70	◎	100	25	◎	100	180	◎	100	180	◎	-	-					
Carbon sulfide	100	20	×	100	25	◎	-	-	-	-	-	100	25	◎	-				

(Note): "b" refers to the boiling point.

CAUTION



Select the material of wetted parts with careful consideration of process characteristics. Inappropriate selection may cause leakage of process fluids, which greatly affects facilities. Considerable care must be taken particularly in the case of strongly corrosive process fluid such as hydrochloric acid, sulfuric acid, hydrogen sulfide, and sodium hypochlorite. If you have any questions about the wetted part construction of the product, be sure to contact Yokogawa.

Enquiry Specifications Sheet for pH/ORP Sensor

For enquires on the Yokogawa pH/ORP sensors, please tick (v)the appropriate box and write down the relevant information in the blanks.

1. General Information

Company name ; _____
 Contact Person ; _____ Department; _____
 Plant name ; _____
 Measurement location ; _____
 Purpose of use ; Indication, Recording, Alarm, Control
 Power supply ; _____ V AC, _____ Hz

2 Measurement Conditions

(1) Process temperature; _____ to _____ Normally _____ [°C]
 (2) Process pressure ; _____ to _____ Normally _____ [kPa]
 (3) Flow rate ; _____ to _____ Normally _____ [L/min]
 (4) Flow speed ; _____ to _____ Normally _____ [m/s]
 (5) Slurry or contaminants ; No, Yes _____
 (6) Name of process fluid ; _____
 (7) Components of process fluid ; _____
 (8) Others ; _____

3. Installation Site

(1) Ambient temperature ; _____
 (2) Location ; Outdoors, Indoors _____
 (3) Others ; _____

4. Requirements

(1) Measuring range ; pH 0 to 14, _____
 (2) Combined transmitter ; FLXA21, PH202, PH450, PH400, OR400, PH100, OR100,

 (3) System configuration selection; Sensor, Holder, pH/ORP Transmitter/Converter, Cleaning system,
 Terminal box, Accessories
 (4) Sensor cable length ; 3 m, 5 m, 7 m, 10 m, 15 m, 20 m, _____m
 (5) Sensor operating pressure ; 10 kPa or less, Greater than 10 kPa
 (6) Type of holder ; Guide pipe, Submersion, Flow-through, Suspension,
 Angled floating ball, Vertical floating ball
 (7) Cleaning method ; No cleaning, Ultrasonic cleaning, Jet cleaning, Brush cleaning
 (8) Sample temperature ; -5 to 105°C, -5 to 100°C, -5 to 80°C
 (9) Others ; _____