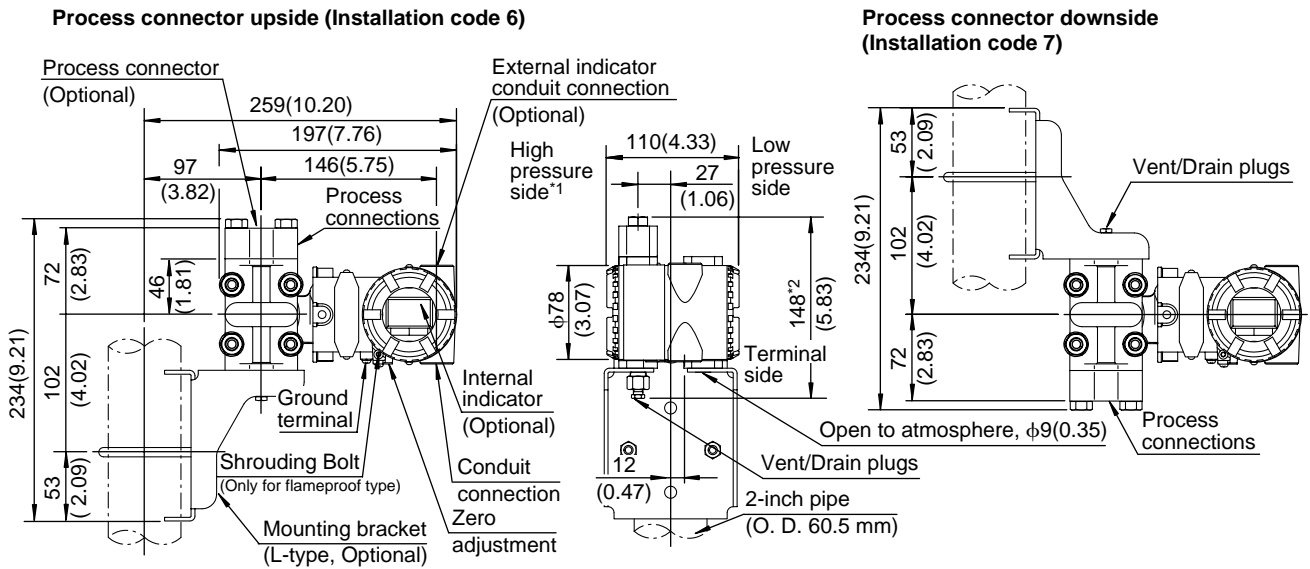
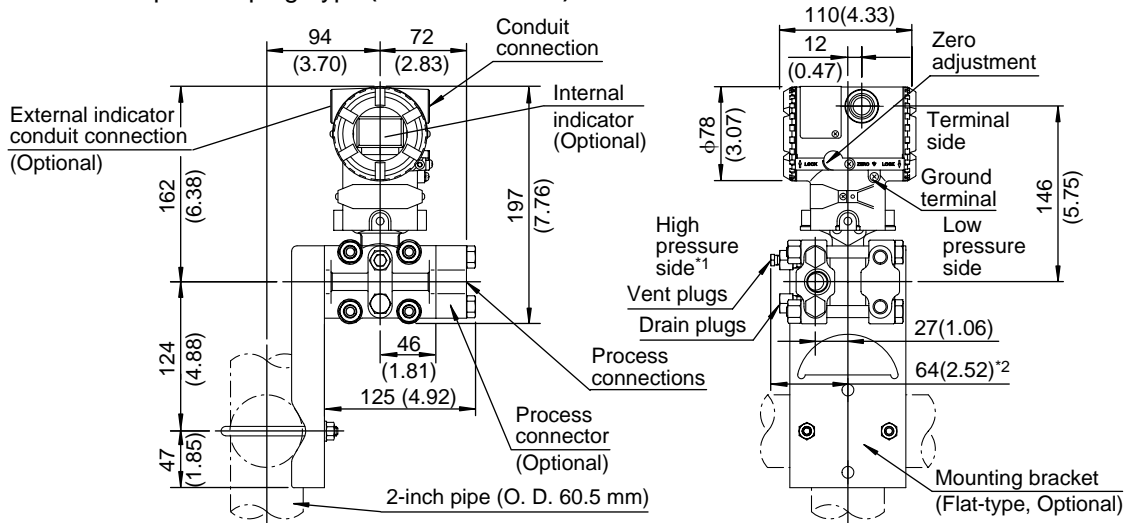


### ● Vertical Impulse Piping Type

Unit: mm(approx. inch)



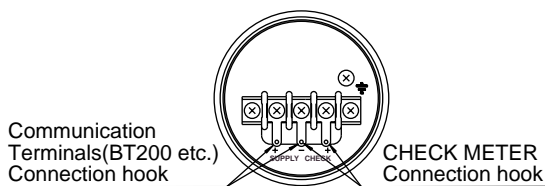
### ● Horizontal Impulse Piping Type (Installation code 9)



\*1: When Installation code 2, 3, or 8 is selected, high and low pressure side on above figure are reversed.  
(i. e. High pressure side is on the right side.)

\*2: When Optional code K1, K2, K5, or K6 is selected, add 15 mm(0.59 inch) to the value in the figure.

### ● Terminal Configuration



### ● Terminal Wiring

SUPPLY $\pm$	Power supply and output terminal
CHECK $\pm$	External indicator(ammeter) terminal
$\equiv$	Ground terminal