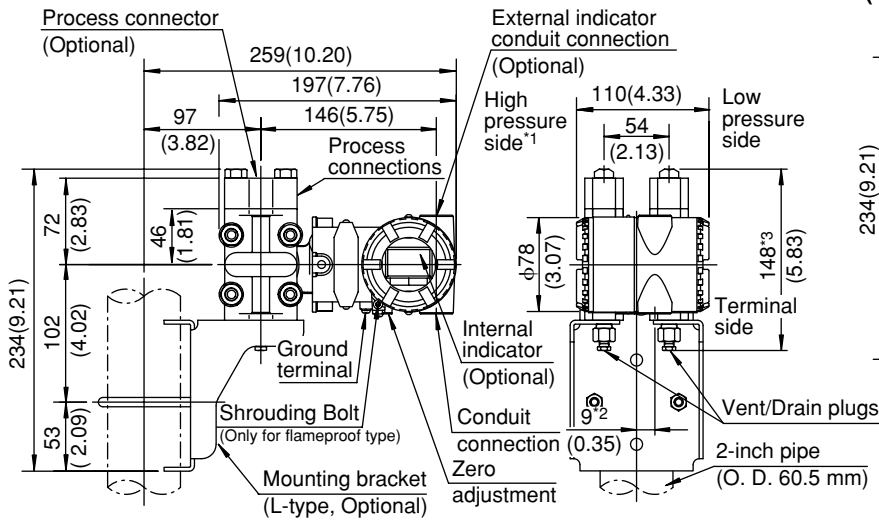


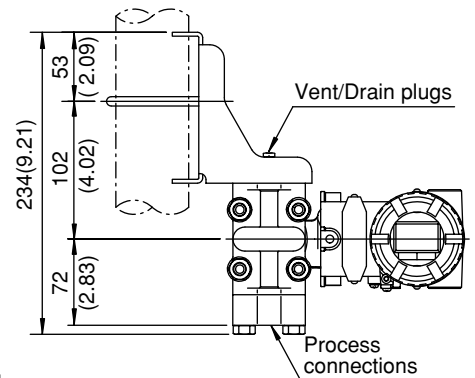
● Vertical Impulse Piping Type

Unit: mm(approx. inch)

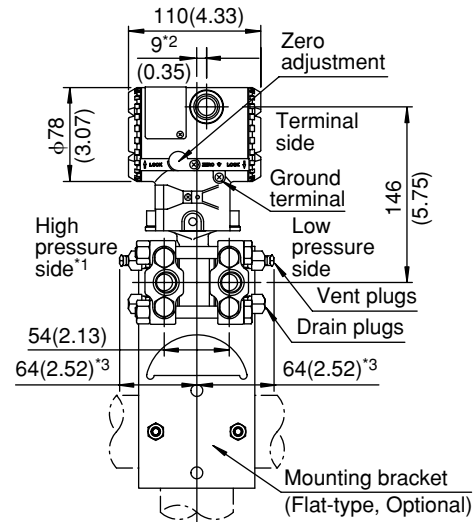
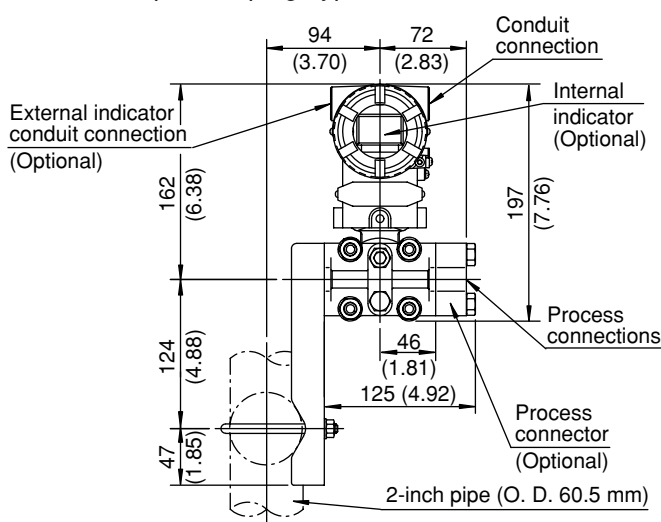
Process connector upside (Installation code 6)



Process connector downside (Installation code 7)



● Horizontal Impulse Piping Type (Installation code 9)

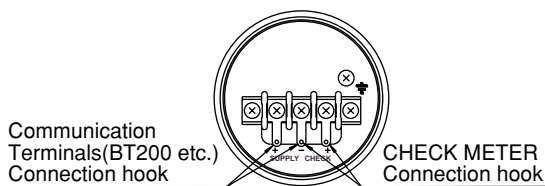


*1: When Installation code 2, 3, or 8 is selected, high and low pressure side on above figure are reversed.
(i. e. High pressure side is on the right side.)

*2: 15 mm(0.59 inch) for right side high pressure (Installation code 2, 3, or 8).

*3: When Optional code K1, K2, K5, or K6 is selected, add 15 mm(0.59 inch) to the value in the figure.

● Terminal Configuration



● Terminal Wiring

SUPPLY + -	Power supply and output terminal
CHECK + -	External indicator(ammeter) terminal
⏏	Ground terminal